

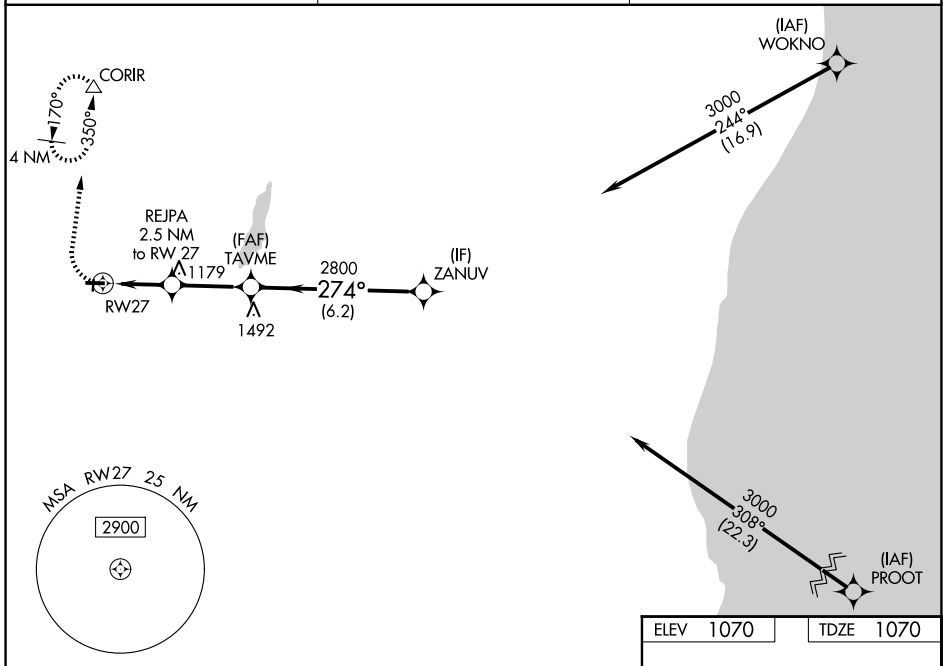
|  |                        |                             |   |
|--|------------------------|-----------------------------|---|
| WAAS<br>CH <b>86943</b><br><b>W27A</b> | APP CRS<br><b>274°</b> | Rwy Ldg<br>TDZE<br>Apf Elev | <b>3401</b><br><b>1070</b><br><b>1070</b> |
|--|------------------------|-----------------------------|---|

# RNAV (GPS) RWY 27

HARTFORD MUNI (HXF)

|           |   |  |
|-----------|---|--|
| RNP APCH. | <p>▼ Circling NA to Rwys 18 and 36.<br/>▲ NA Rwy 27 helicopter visibility reduction below 3/4 SM NA.<br/>Baro-VNAV NA. Use West Bend altimeter setting.</p> | MISSED APPROACH: Climb to 1700 then climbing right turn to 3000 direct CORIR and hold, continue climb-in-hold to 3000. |
|-----------|---|--|

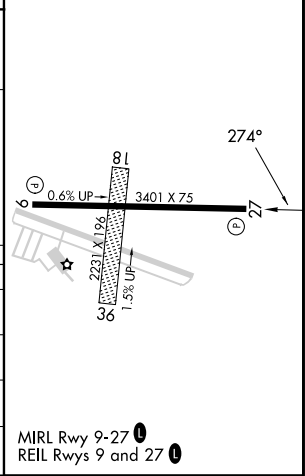
|                            |  |                                 |
|----------------------------|--|---------------------------------|
| ETB AWOS-3<br><b>120.0</b> | MILWAUKEE APP CON<br><b>125.35 307.0</b> | UNICOM<br><b>123.0 (CTAF) 0</b> |
|----------------------------|--|---------------------------------|



EC-3, 14 MAY 2026 to 11 JUN 2026

EC-3, 14 MAY 2026 to 11 JUN 2026

|                        |              |               |        |
|------------------------|--------------|---------------|--------|
|                        | ELEV 1070    | TDZE 1070     |        |
|                        | 1700         | 3000          | CORIR  |
|                        | ↑            | ↷             | △      |
|                        | * LNAV only. |               |        |
| ZANUV                  | 3000         | 274°          |        |
| TAVME                  | 2800         |               |        |
| REJPA 2.5 NM to RWY 27 |              |               |        |
| RWY 27                 |              |               |        |
| GP 3.00°               | 2800         | *1900         |        |
| TCH 40                 |              |               |        |
|                        | 6.2 NM       | 2.8 NM        | 2.5 NM |
| CATEGORY               | A            | B             | C      |
| LPV DA                 | 1374-7/8     | 304 (400-7/8) | NA     |
| LNAV/VNAV DA           | 1415-1       | 345 (400-1)   | NA     |
| LNAV MDA               | 1540-1       | 470 (500-1)   | NA     |
| CIRCLING               | 1560-1       | 490 (500-1)   | NA     |



MIRL Rwy 9-27 0  
REIL Rws 9 and 27 0

# RNAV (GPS) RWY 27