

WAAS CH <b>49201</b> <b>W18A</b>	APP CRS <b>181°</b>	Rwy ldg <b>6503</b> TDZE <b>298</b> Apt Elev <b>298</b>
--	------------------------	---

# RNAV (GPS) RWY 18

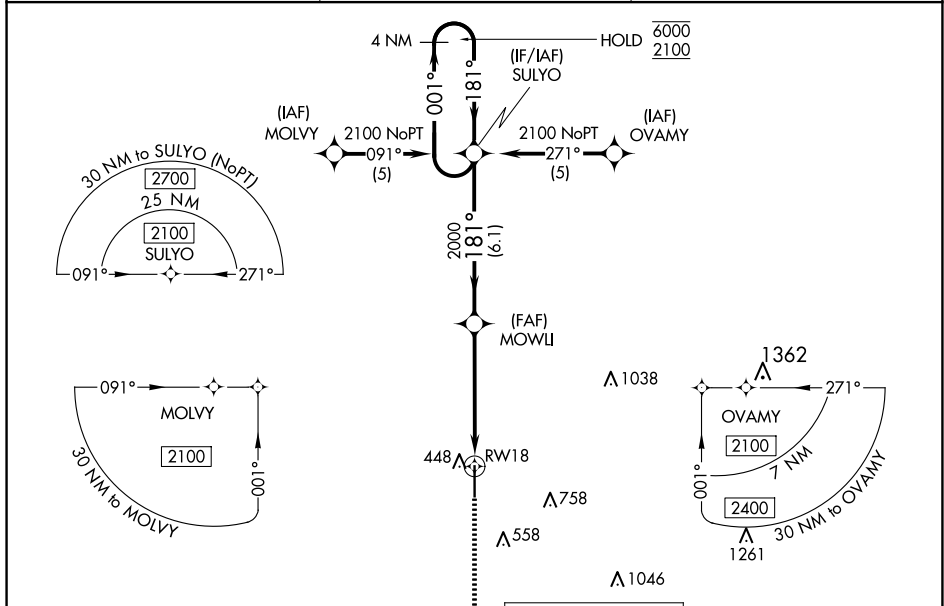
HATTIESBURG/LAUREL RGNL (PIB)

RNP APCH-GPS.

**MAISR** MISSED APPROACH: Climb to 2000 direct REWYO and hold.

**⚠** For uncompensated Baro-VNAV systems, LNAV/VNAV NA below -15°C or above 54°C.

AWOS-3PT <b>128.325</b>	HOUSTON CENTER <b>126.8 327.8</b>	UNICOM <b>123.0 (CTAF) ①</b>
----------------------------	--------------------------------------	---------------------------------

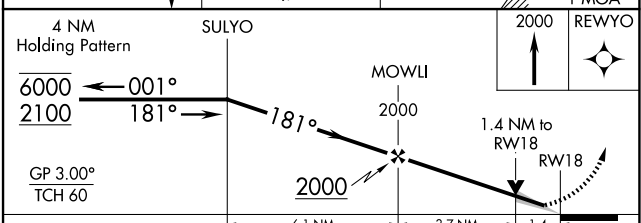
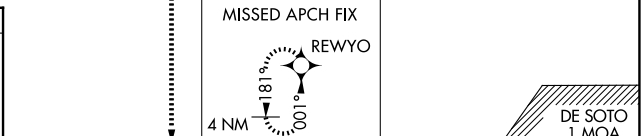


SC-4, 14 MAY 2026 to 11 JUN 2026

SC-4, 14 MAY 2026 to 11 JUN 2026

ELEV <b>298</b>	TDZE <b>298</b>
-----------------	-----------------

HIRL Rwy 18-36 ①  
REIL Rwy 18 and 36 ①



CATEGORY	A	B	C	D
LPV DA		498-1/2	200 (200-1/2)	
LNAV/VNAV DA		691-5/8	393 (400-3/8)	
LNAV MDA	820-1/2	522 (600-1/2)	820-1	522 (600-1)
<b>C</b> CIRCLING	820-1	522 (600-1)	1120-2/2 822 (900-2/2)	1120-23/4 822 (900-23/4)