

VORTAC OKW 111.0 Chan 47	APP CRS 076°	Rwy Ldg TDZE Apt Elev 6007 700 700
---------------------------------------	------------------------	--

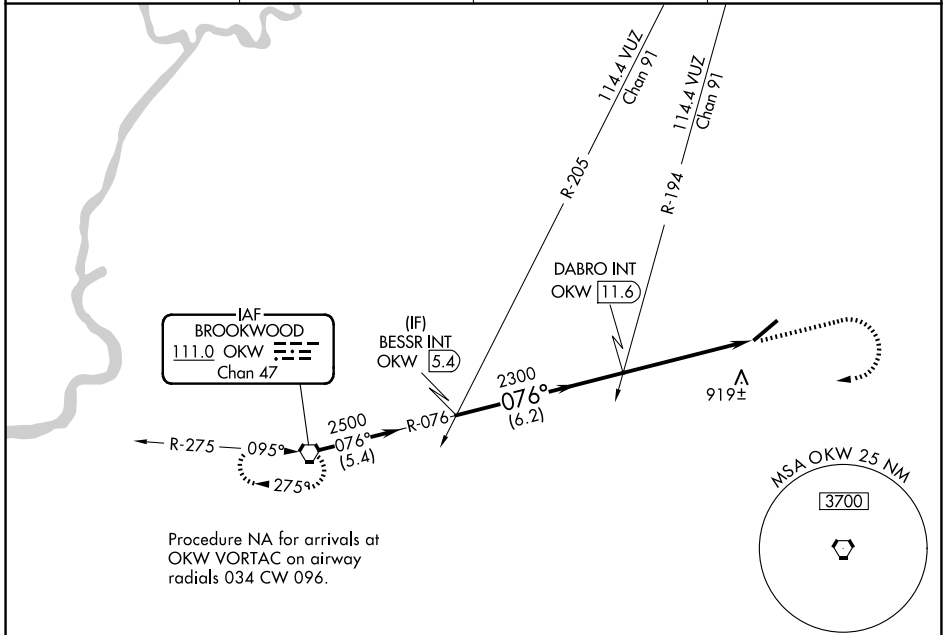
VOR RWY 5

BESSEMER NTL (E.K.Y)

NA Inoperative table does not apply. When local altimeter setting not received, use Alabaster altimeter setting and increase all MDAs 60 feet; increase S-5 Cat C visibility 1/8 SM and Circling Cat D visibility 1/4 SM.

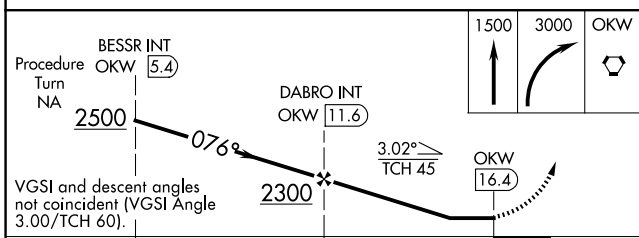
MISSED APPROACH: Climb to 1500 then climbing right turn to 3000 direct OKW VORTAC and hold.

AWOS-3PT 118.825	BIRMINGHAM APP CON 124.9 351.85	CLNC DEL 123.75	UNICOM 123.0 (CTAF)
----------------------------	---	---------------------------	-------------------------------

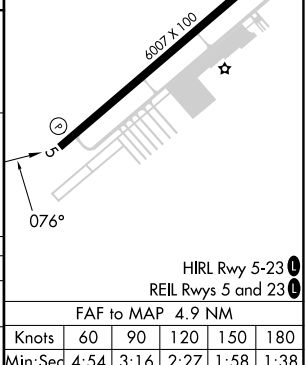


SE-4, 14 MAY 2026 to 11 JUN 2026

SE-4, 14 MAY 2026 to 11 JUN 2026



CATEGORY	A	B	C	D
S-5	1180-1 480 (500-1)		1180-1 3/8 480 (500-1 3/8)	1180-1 1/2 480 (500-1 1/2)
CIRCLING	1200-1 500 (500-1)		1220-1 1/2 520 (600-1 1/2)	1320-2 620 (700-2)



HIRL Rwy 5-23	
REIL Rwy 5 and 23	
FAF to MAP 4.9 NM	
Knots	60 90 120 150 180
Min:Sec	4:54 3:16 2:27 1:58 1:38