

**TOP ALTITUDE:
ASSIGNED BY ATC**

(AEX3.AEX) 25331
ALEXANDRIA THREE DEPARTURE

AL-4453 (FAA)

TEXAS GULF COAST RGNL (LJBX)
ANGLETON/LAKE JACKSON, TEXAS

HOUSTON DEP CON
134.45 284.0
ASOS
119.925
CLNC DEL
125.2
CTAF
123.0

LUFKIN
112.1 LFK
Chan 58

ALEXANDRIA
116.1 AEX
Chan 108

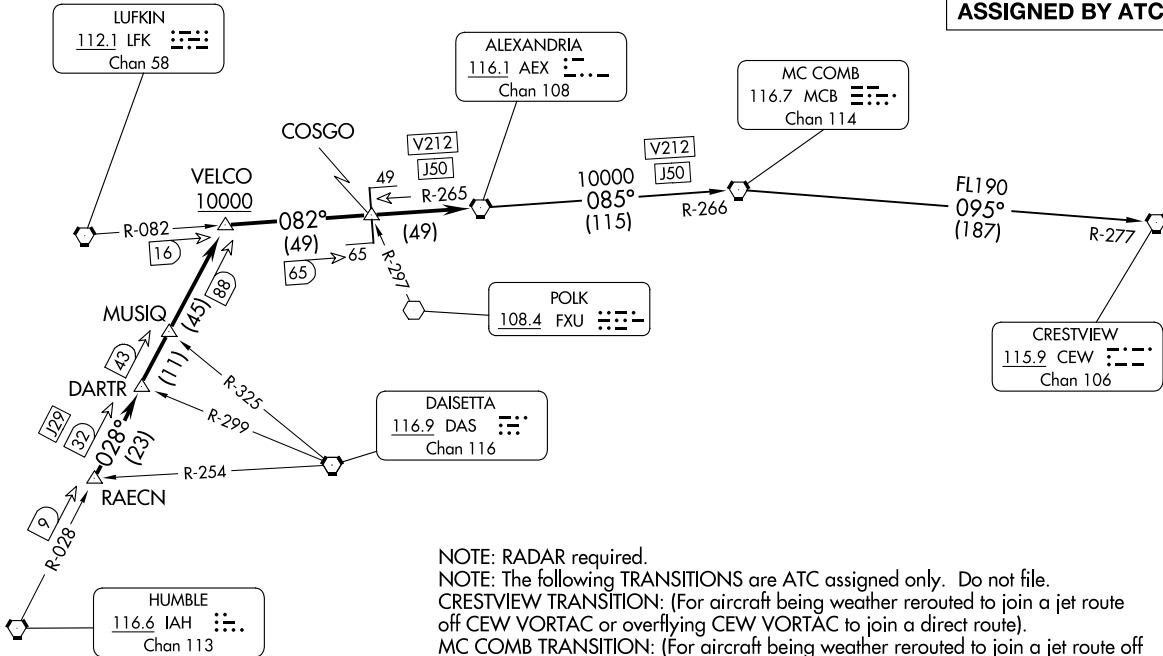
MC COMB
116.7 MCB
Chan 114

POLK
108.4 FXU

DAISETTA
116.9 DAS
Chan 116

HUMBLE
116.6 IAH
Chan 113

CRESTVIEW
115.9 CEW
Chan 106



TAKEOFF MINIMUMS
Rwys 17, 35: Standard.

NOTE: RADAR required.
NOTE: The following TRANSITIONS are ATC assigned only. Do not file.
CRESTVIEW TRANSITION: (For aircraft being weather rerouted to join a jet route off CEW VORTAC or overflying CEW VORTAC to join a direct route).
MC COMB TRANSITION: (For aircraft being weather rerouted to join a jet route off MCB VORTAC or overflying MCB VORTAC to join a direct route).

(CONTINUED ON FOLLOWING PAGE)

NOTE: Chart not to scale.

ALEXANDRIA THREE DEPARTURE
(AEX3.AEX) 07OCT21

ANGLETON/LAKE JACKSON, TEXAS
TEXAS GULF COAST RGNL (LJBX)

ALEXANDRIA THREE DEPARTURE



DEPARTURE ROUTE DESCRIPTION

TAKEOFF ALL RUNWAYS: When entering controlled airspace, climb on assigned heading for RADAR vectors to RAECN INT. Maintain ATC assigned altitude. Expect filed altitude 10 minutes after departure, thence. . . .

. . . .on IAH R-028 to VELCO INT, cross VELCO INT at or above 10000, then right turn on LFK R-082 and AEX R-265 to AEX VORTAC.

CRESTVIEW TRANSITION (AEX3.CEW): From over AEX VORTAC on AEX R-085 and MCB R-266 to MCB VORTAC, then on MCB R-095 and CEW R-277 to CEW VORTAC.

MC COMB TRANSITION (AEX3.MCB): From over AEX VORTAC on AEX R-085 and MCB R-266 to MCB VORTAC.

SC-5, 14 MAY 2026 to 11 JUN 2026

SC-5, 14 MAY 2026 to 11 JUN 2026