

WAAS CH 86835 W28A	APP CRS 276°	Rwy Ldg TDZE Apt Elev	3541 851 853
--	------------------------	-----------------------------	---

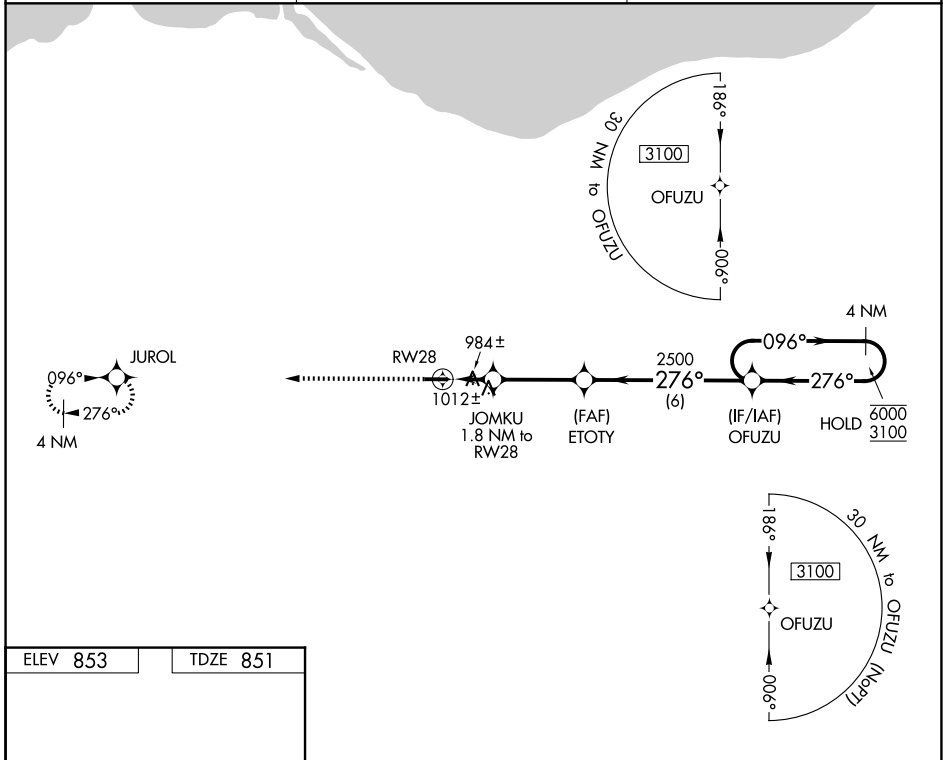
RNAV (GPS) RWY 28

NORWALK/HURON COUNTY (5A1)

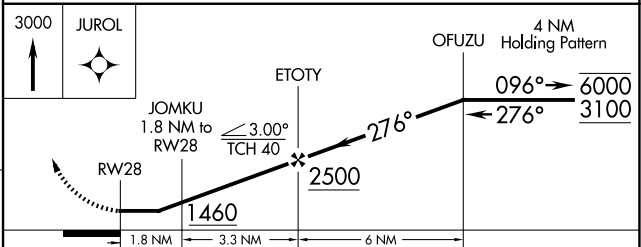
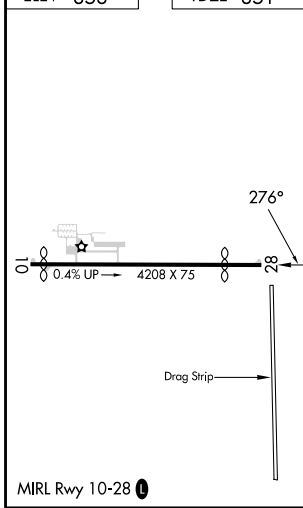
RNP APCH. MISSED APPROACH: Climb to 3000 direct JUROL and hold.

▼ Rwy 28 helicopter visibility reduction below 1 SM NA. Procedure NA at night.
 ▲ NA Use Cleveland-Hopkins Intl climeter setting.

CLE ASOS 127.85	CLEVELAND APP CON ★ 128.35 360.65	UNICOM 122.8 (CTAF) 0
---------------------------	---	---------------------------------



ELEV 853	TDZE 851
----------	----------



CATEGORY	A	B	C	D
LP MDA	1320-1	469 (500-1)	1320-1 $\frac{3}{8}$ 469 (500-1 $\frac{3}{8}$)	NA
LNAV MDA	1360-1	509 (600-1)	1360-1 $\frac{3}{8}$ 509 (600-1 $\frac{3}{8}$)	NA
CIRCLING	1420-1	567 (600-1)	1440-1 $\frac{1}{2}$ 587 (600-1 $\frac{1}{2}$)	NA

EC-2, 14 MAY 2026 to 11 JUN 2026

EC-2, 14 MAY 2026 to 11 JUN 2026