

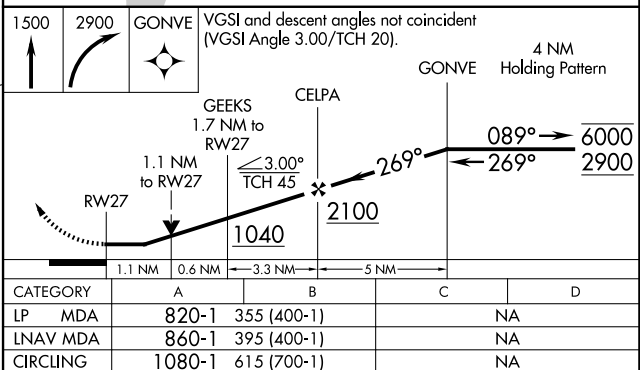
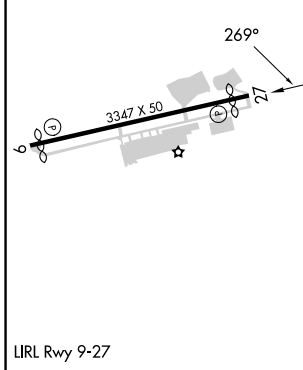
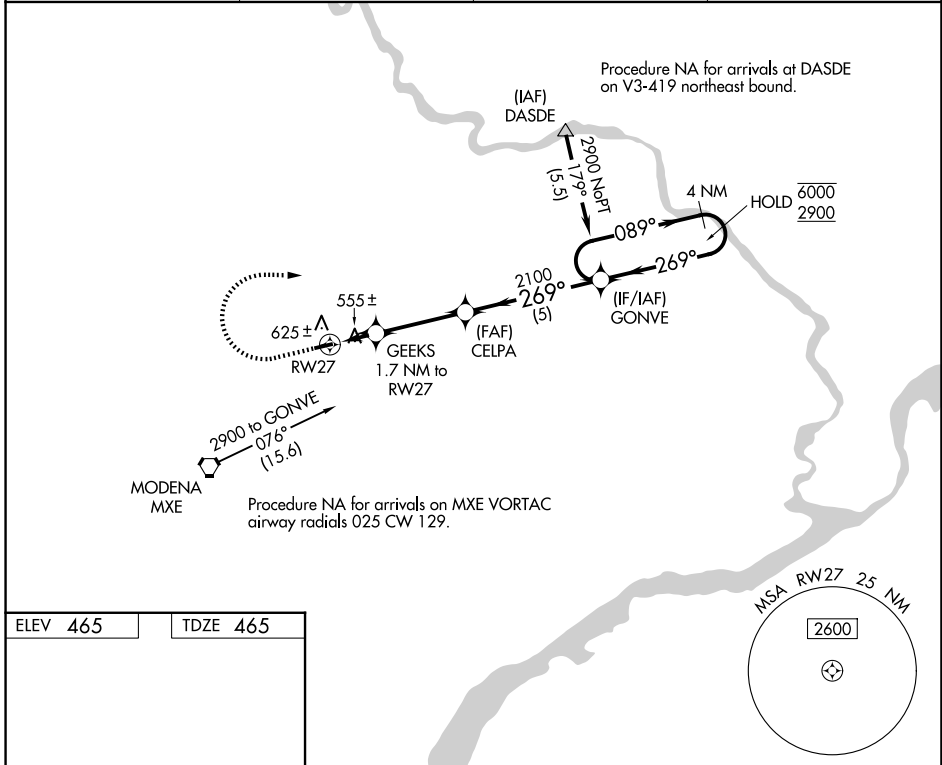
WAAS CH 86637 W27A	APP CRS 269°	Rwy Ldg TDZE Apt Elev	3098 465 465
----------------------------------------	------------------------	-----------------------------	-----------------------------------------

RNAV (GPS) RWY 27

BRANDYWINE RGNL (OQN)

RNP APCH - GPS.		MISSED APPROACH: Climb to 1500 then climbing right turn to 2900 direct GONVE and hold.	
<p>⚠ Rwy 27 helicopter visibility reduction below 3/4 SM NA. When local altimeter setting not received, use Coatesville altimeter setting and increase all MDAs 60 feet.</p>			

AWOS-3T 121.4	PHILADELPHIA APP CON 124.35 319.15	CLNC DEL 125.6	UNICOM 123.075 (CTAF)
-------------------------	----------------------------------------------	--------------------------	---------------------------------



NE-4, 14 MAY 2026 to 11 JUN 2026

NE-4, 14 MAY 2026 to 11 JUN 2026