


APP CRS 082°	Rwy Ldg TDZE Apt Elev	12000 5352 5434
------------------------	-----------------------------	--

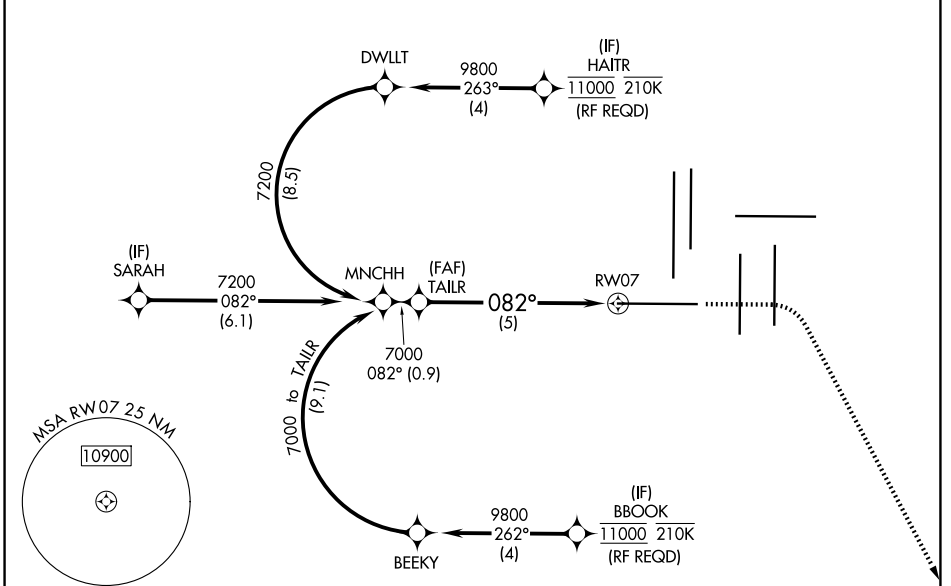
RNAV (RNP) Z RWY 7

DENVER INTL (DEN)

RNP AR APCH.
 ▼ Simultaneous approach authorized. For uncompensated Baro-VNAV systems, procedure NA below -23°C or above 54°C. For inop ALS, increase RNP 0.15 all Cats visibility to RVR 4000, and increase RNP 0.30 all Cats visibility to RVR 6000.

MALSR

MISSED APPROACH: Climb to 5900 then climbing right turn to 10000 direct CIDMU and track 081° to LIMEX and hold.

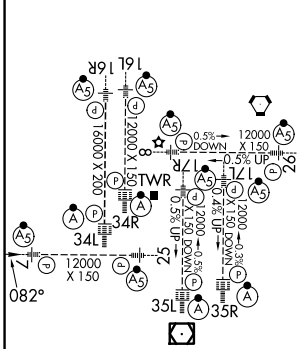
D-ATIS 125.6 379.9	DENVER APP CON 119.3 307.3 (N) 120.35 379.3 (S)	DENVER TOWER 128.75 273.55	GND CON 121.35 379.175 (W) 121.85 377.1 (E)
------------------------------	---	--------------------------------------	---



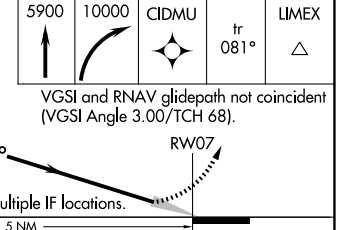
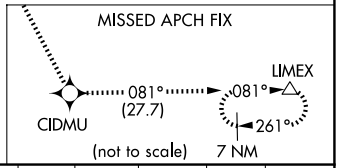
SW-1, 14 MAY 2026 to 11 JUN 2026

SW-1, 14 MAY 2026 to 11 JUN 2026

ELEV 5434	D	TDZE 5352
-----------	----------	-----------



HIRL all Rwys
 TDZL/RCLS Rwys 7, 16L, 16R, 17R, 26, 34L, 34R, 35L, 35R



GP 3.00° TCH 55	5900	10000	CIDMU	tr 081°	LIMEX
See planview for multiple IF locations.					
5 NM					

CATEGORY	A	B	C	D
RNP 0.15 DA		5602/24	250 (200-½)	
RNP 0.30 DA		5753/40	401 (400-¾)	

AUTHORIZATION REQUIRED