

| | | | |
|--|------------------------|-----------------------------|-------------------------------------|
| WAAS CH 90333 W27A | APP CRS 276° | Rwy Ldg TDZE Apt Elev | 4557 9 9 |
|--|------------------------|-----------------------------|-------------------------------------|

RNAV (GPS) RWY 27

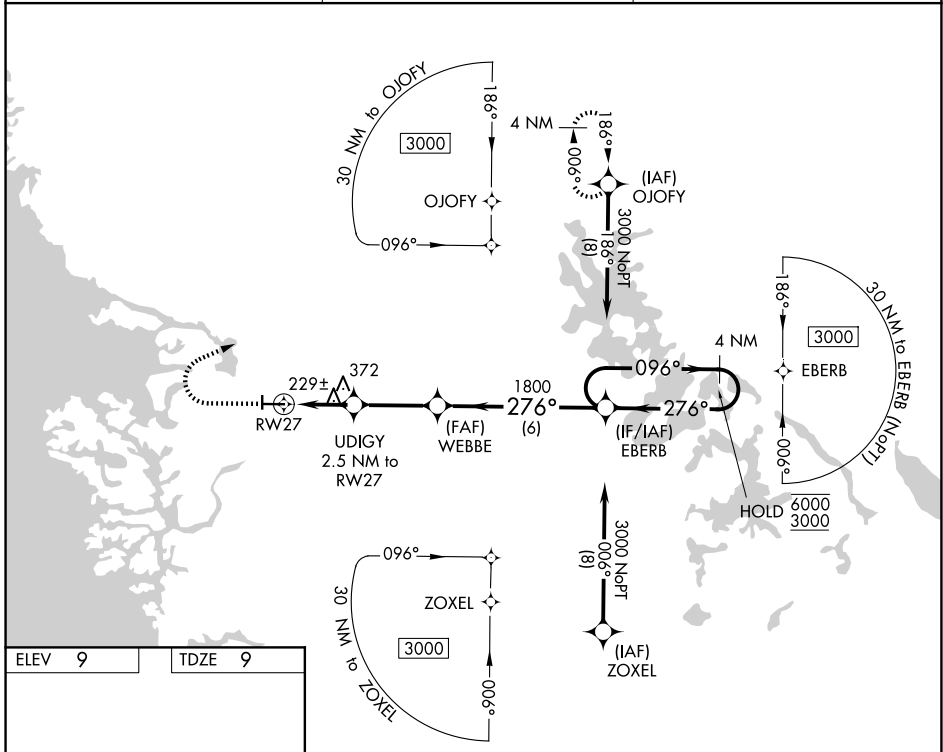
CRYSTAL RIVER/DAVIS FLD (CGC)

RNP APCH.

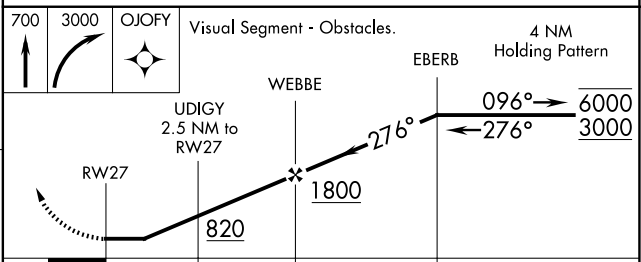
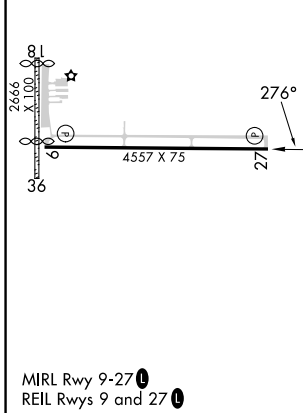
▼ Circling NA to Rwy 18 and 36. Procedure NA at night.
▲ Rwy 27 helicopter visibility reduction below 1 SM NA.

MISSED APPROACH: Climb to 700 then climbing right turn to 3000 direct OJOFY and hold.

| | | |
|--------------------------|---|-----------------------------------|
| AWOS-3 118.325 | JACKSONVILLE APP CON 118.6 251.15 | UNICOM 122.725 (CTAF) 0 |
|--------------------------|---|-----------------------------------|



| | |
|---------------|---------------|
| ELEV 9 | TDZE 9 |
|---------------|---------------|



| CATEGORY | A | B | C | D |
|----------|-------|-------------|---|---|
| LP MDA | 480-1 | 471 (500-1) | 480-1 $\frac{3}{8}$ | 471 (500-1 $\frac{3}{8}$) |
| LNAV MDA | 640-1 | 631 (700-1) | 640-1 $\frac{3}{4}$ | 631 (700-1 $\frac{3}{4}$) |
| CIRCLING | 640-1 | 631 (700-1) | 760-2 $\frac{1}{4}$ 751 (800-2 $\frac{1}{4}$) | 880-2 $\frac{3}{4}$ 871 (900-2 $\frac{3}{4}$) |

SE-3, 14 MAY 2026 to 11 JUN 2026

SE-3, 14 MAY 2026 to 11 JUN 2026