

| | | | |
|--|------------------------|-----------------------------|-------------------------------------|
| WAAS CH 45834 W09A | APP CRS 095° | Rwy Ldg TDZE Apt Elev | 4557 9 9 |
|--|------------------------|-----------------------------|-------------------------------------|

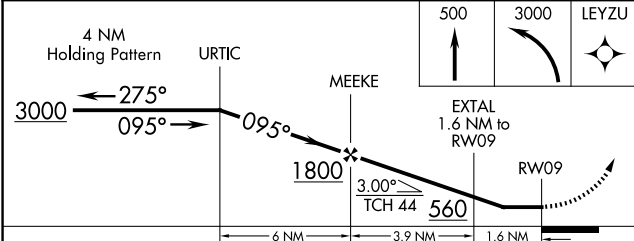
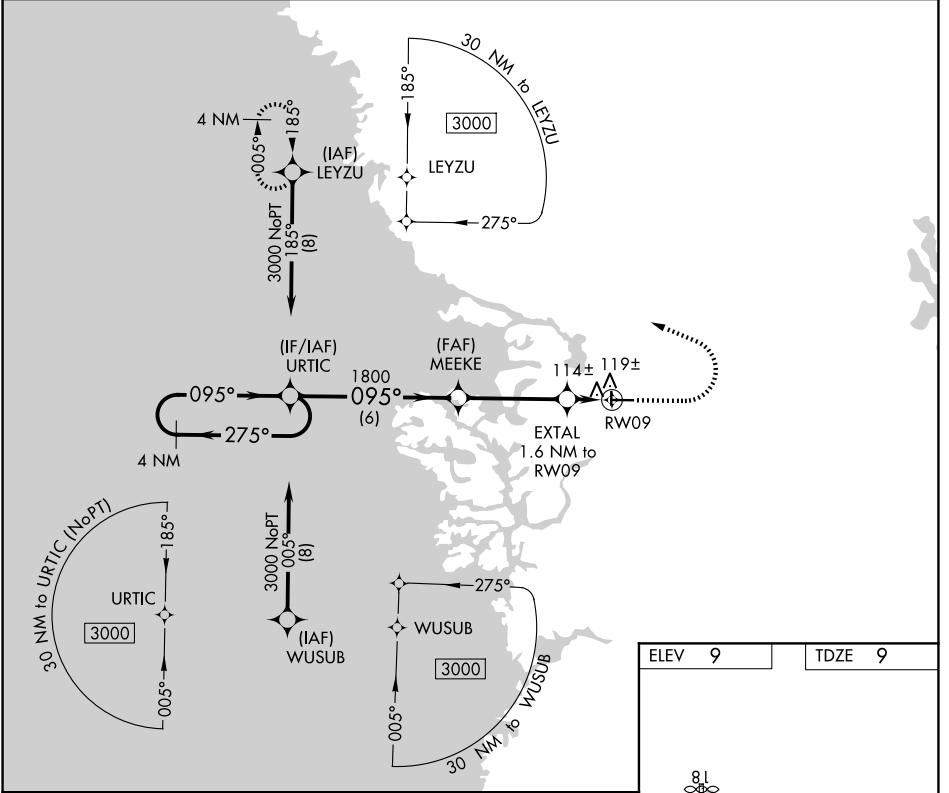
RNAV (GPS) RWY 9

CRYSTAL RIVER/DAVIS FLD (CGC)

▼ Procedure NA at night. DME/DME RNP-0.3 NA. When local altimeter setting not received, use Ocala altimeter setting and increase all MDA 80 feet; increase LP Cat C/D visibility $\frac{3}{8}$ mile, LNAV Cat C/D visibility $\frac{1}{2}$ mile and Circling Cat C/D visibility $\frac{1}{4}$ mile. Helicopter visibility reduction below 1 SM NA.

▲ MISSED APPROACH: Climb to 500 then climbing left turn to 3000 direct LEYZU and hold.

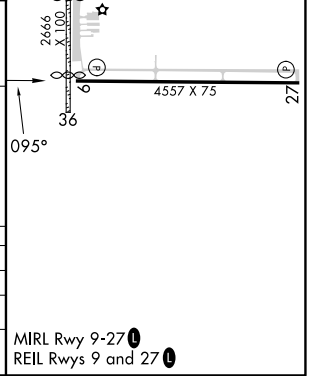
| | | |
|--------------------------|---|-----------------------------------|
| AWOS-3 118.325 | JACKSONVILLE APP CON 118.6 251-15 | UNICOM 122.725 (CTAF) 0 |
|--------------------------|---|-----------------------------------|



| | |
|--------|--------|
| ELEV 9 | TDZE 9 |
|--------|--------|

The runway diagram shows RWY 9 with a width of 36 feet and a length of 2646 feet. The taxiway width is 100 feet. The runway width is 4557 feet and the length is 75 feet. A 27-foot width is also indicated.

| | | | | |
|----------|----------------------|----------------------|---|---|
| CATEGORY | A | B | C | D |
| LP MDA | 380-1 | | 371 (400-1) | |
| LNAV MDA | 420-1 | 411 (500-1) | 420-1 $\frac{1}{8}$ | 411 (500-1 $\frac{1}{8}$) |
| CIRCLING | 460-1 451 (500-1) | 540-1 531 (600-1) | 760-2 $\frac{1}{4}$ 751 (800-2 $\frac{1}{4}$) | 880-2 $\frac{3}{4}$ 871 (900-2 $\frac{3}{4}$) |



SE-3, 14 MAY 2026 to 11 JUN 2026

SE-3, 14 MAY 2026 to 11 JUN 2026