

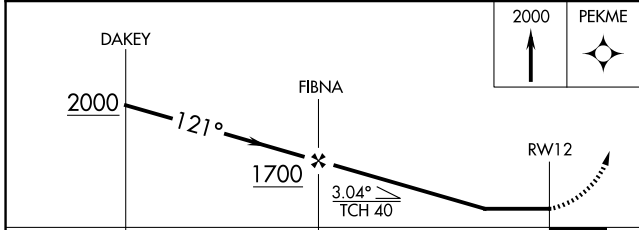
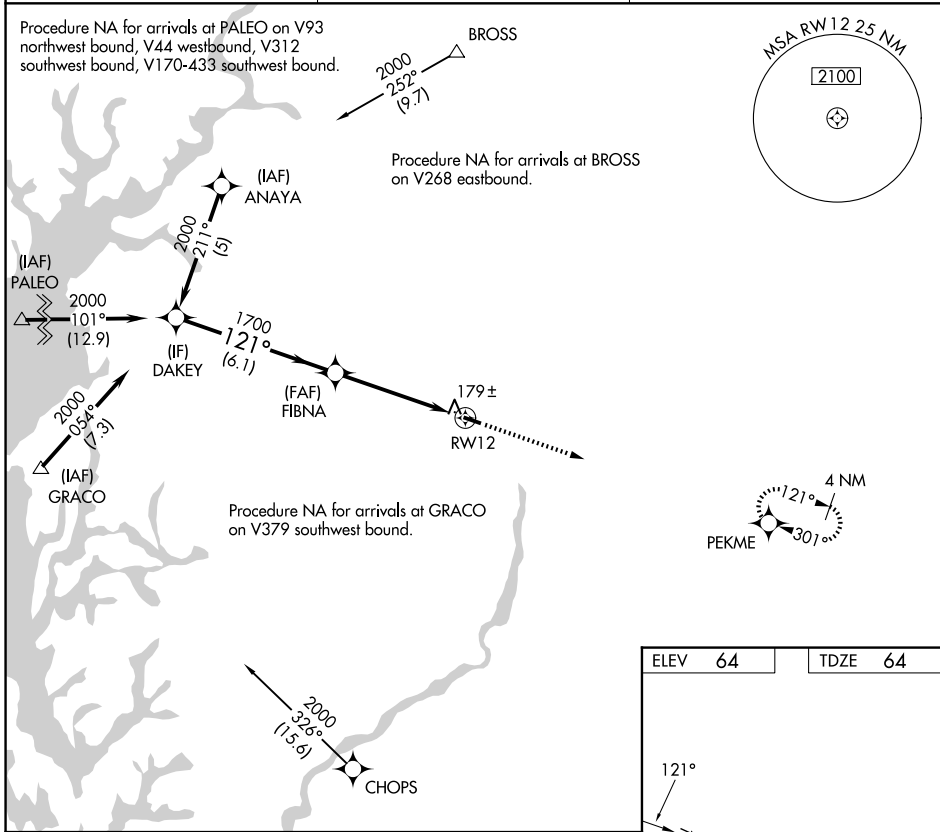
APP CRS	Rwy Ldg	<b>3214</b>
<b>121°</b>	TDZE	<b>64</b>
	Apt Elev	<b>64</b>

# RNAV (GPS) RWY 12

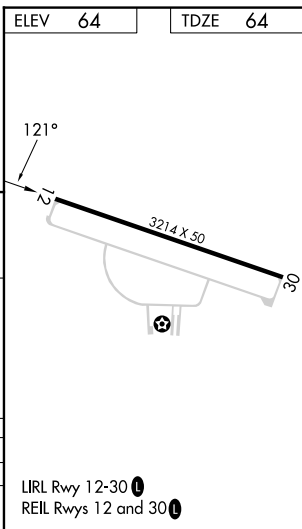
GOODEN AIRPARK (RJD)

RNP APCH - GPS.	<p>Procedure NA at night. Use Easton altimeter setting: when not received, procedure NA. Rwy 12 helicopter visibility reduction below 1 SM NA.</p>	<p>MISSED APPROACH: Climb to 2000 direct PEKME and hold.</p>
-----------------	--	--

<p>ESN AWOS-3PT</p> <p><b>124.475</b></p>	<p>POTOMAC APP CON</p> <p><b>124.55 317.425</b></p>	<p>UNICOM</p> <p><b>122.8 (CTAF) 0</b></p>
---	---	--



	6.1 NM		5 NM	
CATEGORY	A	B	C	D
LNAV MDA	480-1	416 (500-1)	NA	
CIRCLING	520-1	456 (500-1)	NA	



NE-3, 14 MAY 2026 to 11 JUN 2026

NE-3, 14 MAY 2026 to 11 JUN 2026