

APP CRS	Rwy Ldg	4020
282°	TDZE	142
	Apt Elev	142

RNAV (GPS) RWY 27

KOBUK (OBU) (PAOB)

RNP APCH - GPS.

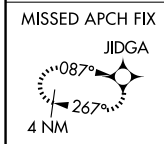
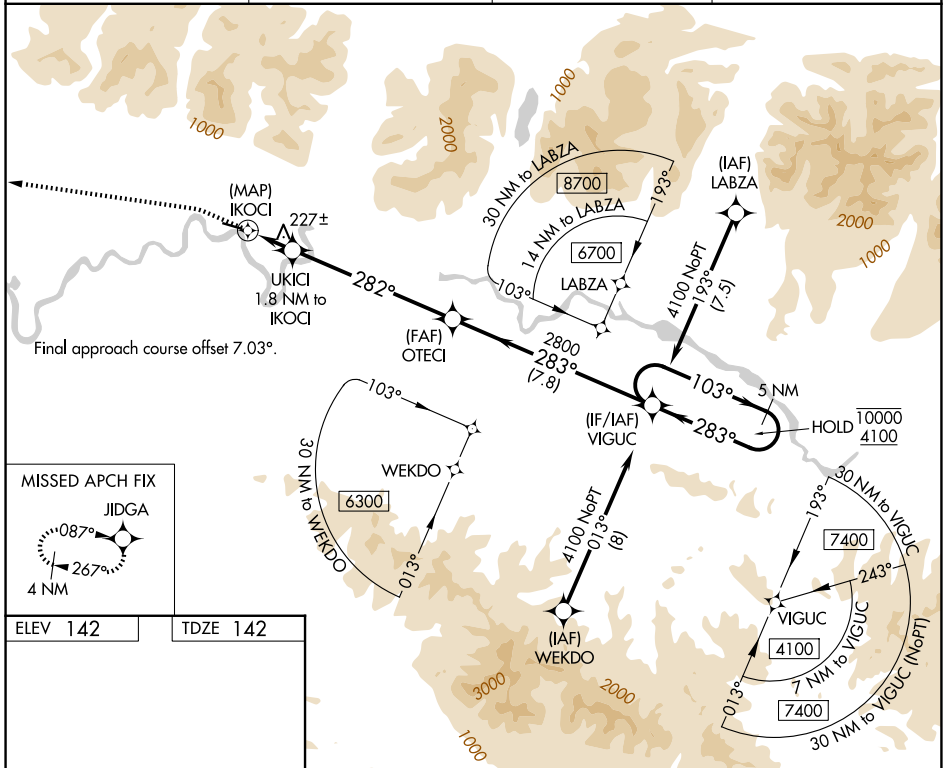
▼ Procedure NA at night. Circling NA north of Rwy 9-27. Rwy 27 Helicopter visibility reduction below 1 SM NA. Use SHG/PAGH altimeter setting; when not received, use AFM/PAFM altimeter setting and increase all MDAs 60 feet and LNAV visibility Cats C and D ¼ SM.

▲ NA

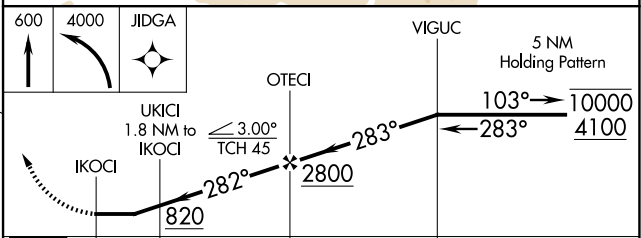
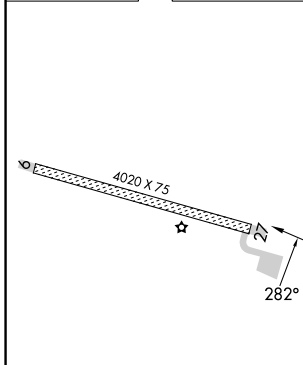
⚡ -37°C

MISSED APPROACH: Climb to 600, then climbing left turn to 4000 direct JIDGA and hold.

SHG/PAHG AWOS-3P 118.525	ANCHORAGE CENTER 119.2 263.0	KOTZEBUE RADIO 122.0	CTAF 122.7
------------------------------------	--	--------------------------------	----------------------



ELEV 142	TDZE 142
----------	----------



CATEGORY	A	B	C	D
LNAV MDA	520-1 378 (400-1)			
CIRCLING	560-1 418 (500-1)	620-1 478 (500-1)	620-1½ 478 (500-1½)	740-2 598 (600-2)

AK, 14 MAY 2026 to 09 JUL 2026

AK, 14 MAY 2026 to 09 JUL 2026