

APP CRS 071°	Rwy Ldg TDZE Apt Elev	N/A N/A 8207
------------------------	-----------------------------	---

RNAV (GPS)-C

GRANBY-GRAND COUNTY (GNB)

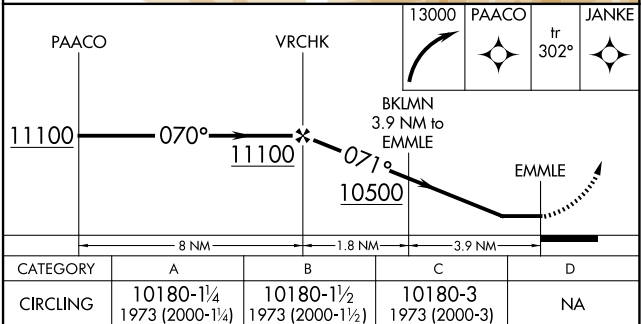
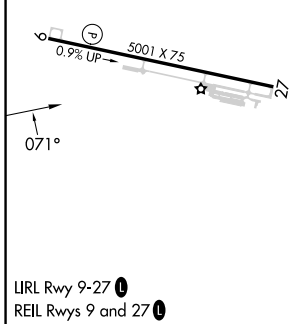
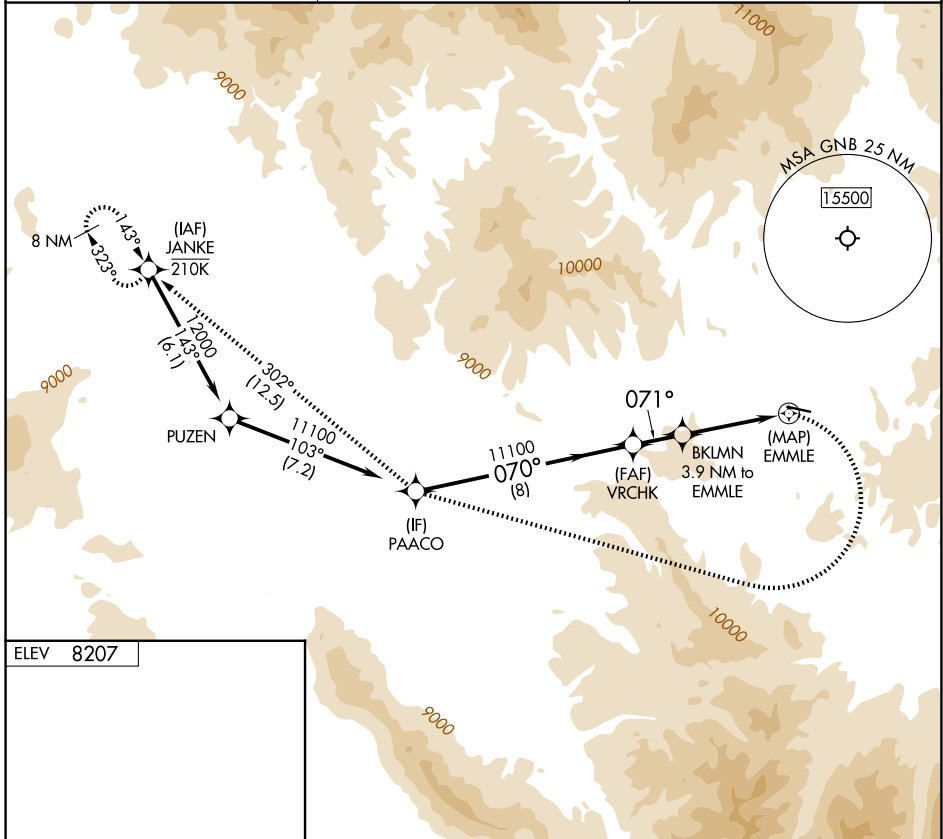
RNP APCH - GPS.

Procedure NA at night. Rwy 27 helicopter visibility reduction below 1 SM NA.

-24°C

MISSED APPROACH: (Do not exceed 165K until PAACO)
Immediate climbing right turn to 13000 direct PAACO
and on track 302° to JANKE and hold.

AWOS-3PT 119.925	DENVER CENTER 128.65 282.2	UNICOM 123.0 (CTAF) 0
----------------------------	--------------------------------------	--



SW-1, 14 MAY 2026 to 11 JUN 2026

SW-1, 14 MAY 2026 to 11 JUN 2026