

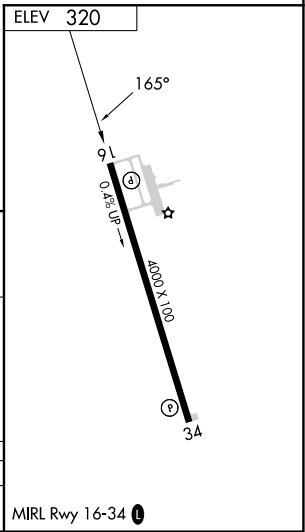
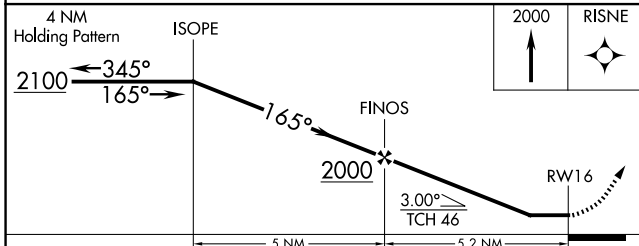
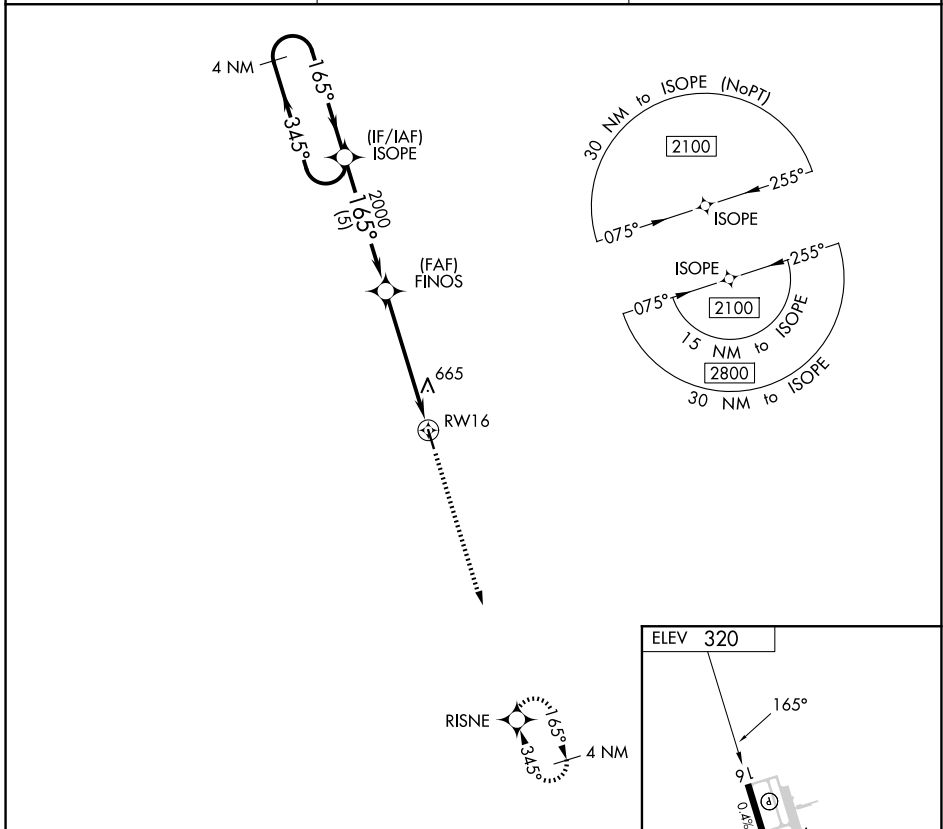
APP CRS	Rwy Ldg	N/A
165°	TDZE	N/A
	Apt Elev	320

RNAV (GPS)-A
POPLARVILLE/PEARL RIVER COUNTY (M13)

▽ DME/DME RNP-0.3 NA. Use Bogalusa altimeter setting; when not received, use Hattiesburg altimeter setting and increase MDA 40 feet and increase Circling Cat B/C/D visibility ¼ mile. Helicopter visibility reduction below 1 SM NA. Procedure NA at night.

△ NA MISSED APPROACH: Climb to 2000 direct RISNE and hold.

BXA AWOS-3PT 118.025	GULFPORT APP CON ★ 124.6 354.1	CTAF 122.9 ①
--------------------------------	--	-------------------------------



CATEGORY	A	B	C	D
CIRCLING	1040-1 720 (800-1)	1120-1 800 (800-1)	1120-2¼ 800 (800-2¼)	1120-2½ 800 (800-2½)

SC-4, 14 MAY 2026 to 11 JUN 2026

SC-4, 14 MAY 2026 to 11 JUN 2026