

SNSFT FOUR DEPARTURE (RNAV)
(SNET4.SNET) 31MARR6

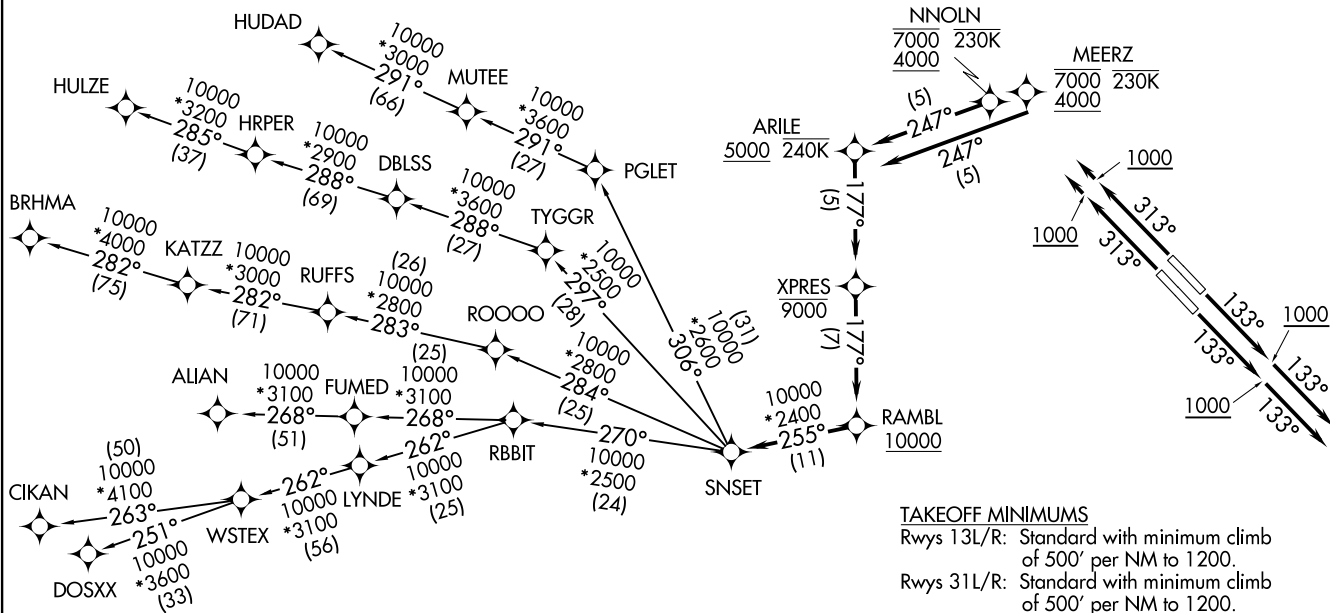
DALLAS, TEXAS
DALLAS LOVE FLD (DAL)

LONE STAR DEP CON
126.475 363.15
D-ATIS
120.15
CLINC DEL
127.9
CPDLC
GND CON
121.75 348.6
LOVE TOWER
123.7 239.3



NOTE: RADAR required.
NOTE: DME/DME/IRU or GPS required.
NOTE: RNAV 1.
NOTE: For use by turbojet aircraft only.
NOTE: RNAV-capable props: File and expect the SWABR RNAV SID.
NOTE: ALIAN Transition: ATC assigned only.
NOTE: Aircraft landing in Lubbock terminal area file the BRHMA enroute transition.

TOP ALTITUDE:
RWYS 13L/R: 3000
RWYS 31L/R: 10000



TAKEOFF MINIMUMS
Rwys 13L/R: Standard with minimum climb of 500' per NM to 1200.
Rwys 31L/R: Standard with minimum climb of 500' per NM to 1200.

(CONTINUED ON FOLLOWING PAGE)

NOTE: Chart not to scale.

(SNET4.SNET) 24305
SNSFT FOUR DEPARTURE (RNAV)

AL-106 (FAA)

DALLAS LOVE FLD (DAL)
DALLAS, TEXAS

SNSET FOUR DEPARTURE (RNAV)



DEPARTURE ROUTE DESCRIPTION

TAKEOFF RUNWAY 13L/R: Climb heading 133° to 1000, then heading 133° or as assigned by ATC, maintain 3000, thence

. . . . expect RADAR vectors to cross RAMBL at or above 10000, then on track 255° to SNSET, then on (transition). Expect filed altitude 10 minutes after departure.

TAKEOFF RUNWAY 31L: Climb heading 313° to 1000, then direct to cross NNOLN at or above 4000, at or below 7000, then on track 247° to cross ARILE at or above 5000, thence

TAKEOFF RUNWAY 31R: Climb heading 313° to 1000, then direct to cross MEERZ at or above 4000, at or below 7000, then on track 247° to cross ARILE at or above 5000, thence

. . . . on track 177° to cross XPRES at or below 9000, then on track 177° to cross RAMBL at or above 10000, then on track 255° to SNSET, then on (transition). Maintain 10000. Expect filed altitude 10 minutes after departure.

ALIAN TRANSITION (SNSET4.ALIAN)

BRHMA TRANSITION (SNSET4.BRHMA)

CIKAN TRANSITION (SNSET4.CIKAN)

DOSXX TRANSITION (SNSET4.DOSXX)

HUDAD TRANSITION (SNSET4.HUDAD)

HULZE TRANSITION (SNSET4.HULZE)

WSTEX TRANSITION (SNSET4.WSTEX)

SC-2, 11 JUN 2026 to 09 JUL 2026

SC-2, 11 JUN 2026 to 09 JUL 2026