

EC-1, 11 JUN 2026 to 09 JUL 2026

DEPARTURE ROUTE DESCRIPTION

TAKEOFF RUNWAY 15: Climb on heading 148° or as assigned by ATC, thence...
TAKEOFF RUNWAY 33: Climb on heading 328° to 1800 then as assigned by ATC, thence....

....for RADAR vectors to JWELS, then on track 218° to SNDRS, then on (transition). Maintain ATC assigned altitude, expect filed altitude 10 minutes after departure.

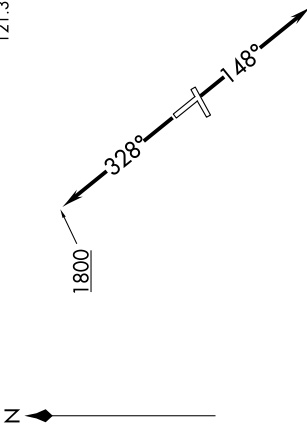
BGHR T TRANSITION (SNDRS3.BGHR T):
TORR R TRANSITION (SNDRS3.TORR R):

TOP ALTITUDE:
ASSIGNED BY ATC

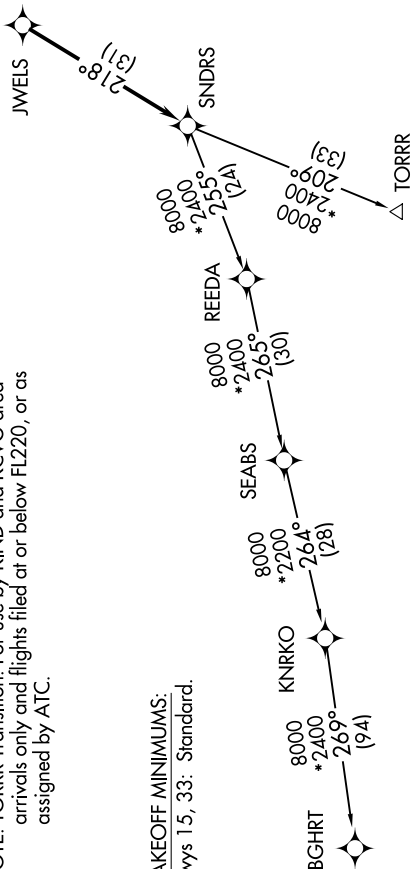
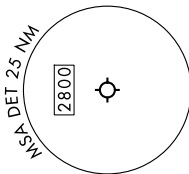
RNAV-1 DME/DME/IRU or GPS.

RADAR required.

DETROIT DEP CON
134.3 284.0
ATIS
124.875
GND CON
121.85
DETROIT CITY TOWER
121.3 257.8



N



NOTE: Turbojet departures at/above 10000, maintain 280K until advised by ATC.

NOTE: TORR Transition: For use by KIND and KCVG area arrivals only and flights filed at or below FL220, or as assigned by ATC.

TAKEOFF MINIMUMS:
Rwys 15, 33: Standard.

NOTE: Chart not to scale.

EC-1, 11 JUN 2026 to 09 JUL 2026