

**TOP ALTITUDE:  
16000**

(AEX3.AEX) 25331  
**ALEXANDRIA THREE DEPARTURE**

AL-198 (FAA)

**WILLIAM P HOBBY (HOT)**  
HOUSTON, TEXAS

HOUSTON DEP CON  
132.25 285.425  
D-ATIS  
124.6  
CLNC DEL  
125.45  
CPDLC  
GND CON  
121.9  
HOBBY TOWER  
118.7 256.9

LUFKIN  
112.1 LFK  
Chan 58

ALEXANDRIA  
116.1 AEX  
Chan 108

MC COMB  
116.7 MCB  
Chan 114

POLK  
108.4 FXU

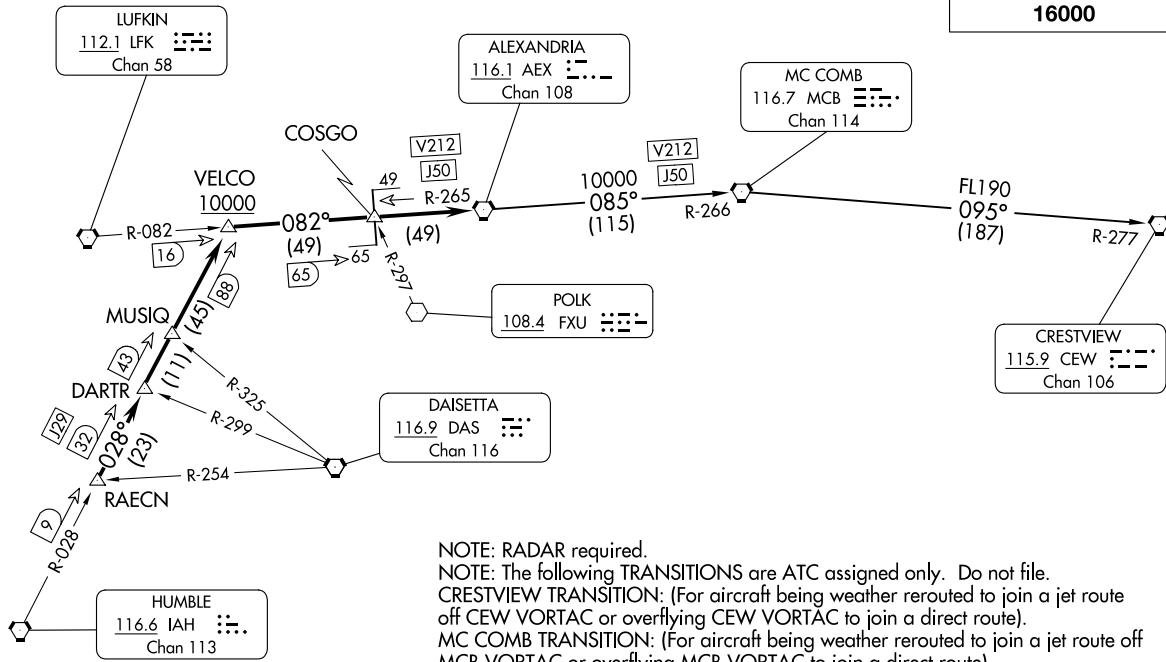
DAISETTA  
116.9 DAS  
Chan 116

HUMBLE  
116.6 IAH  
Chan 113

CRESTVIEW  
115.9 CEW  
Chan 106

**ALEXANDRIA THREE DEPARTURE**  
(AEX3.AEX) 070C121

HOUSTON, TEXAS  
**WILLIAM P HOBBY (HOT)**



NOTE: RADAR required.  
 NOTE: The following TRANSITIONS are ATC assigned only. Do not file.  
 CRESTVIEW TRANSITION: (For aircraft being weather rerouted to join a jet route off CEW VORTAC or overflying CEW VORTAC to join a direct route).  
 MC COMB TRANSITION: (For aircraft being weather rerouted to join a jet route off MCB VORTAC or overflying MCB VORTAC to join a direct route).

**TAKEOFF MINIMUMS**  
 Rwy 4, 13L/R, 31L/R: Standard.  
 Rwy 22: Standard with minimum climb of 290' per NM to 1500.

(CONTINUED ON FOLLOWING PAGE)

NOTE: Chart not to scale.

# ALEXANDRIA THREE DEPARTURE



## DEPARTURE ROUTE DESCRIPTION

TAKEOFF RUNWAYS 4, 13L/R, 22: Climb on assigned heading for RADAR vectors to RAECN INT, maintain 16000. Expect filed altitude 10 minutes after departure, thence. . . .

TAKEOFF RUNWAYS 31L/R: Climb on heading 311° to 800 before turning, then climb on assigned heading for RADAR vectors to RAECN INT, maintain 16000. Expect filed altitude 10 minutes after departure, thence. . . .

. . . .on IAH R-028 to VELCO INT, cross VELCO INT at or above 10000, then right turn on LFK R-082 and AEX R-265 to AEX VORTAC.

CRESTVIEW TRANSITION (AEX3.CEW): From over AEX VORTAC on AEX R-085 and MCB R-266 to MCB VORTAC, then on MCB R-095 and CEW R-277 to CEW VORTAC.

MC COMB TRANSITION (AEX3.MCB): From over AEX VORTAC on AEX R-085 and MCB R-266 to MCB VORTAC.

SC-5, 11 JUN 2026 to 09 JUL 2026

SC-5, 11 JUN 2026 to 09 JUL 2026