

TACAN Y RWY 4L

TACAN SSC Chan 38	APCH CRS 043°	Rwy Idg TDZE Arpt Elev	4L 10,014 240 241	4R 8014 236 241
-----------------------------	-------------------------	------------------------------	---	---

[USAF]

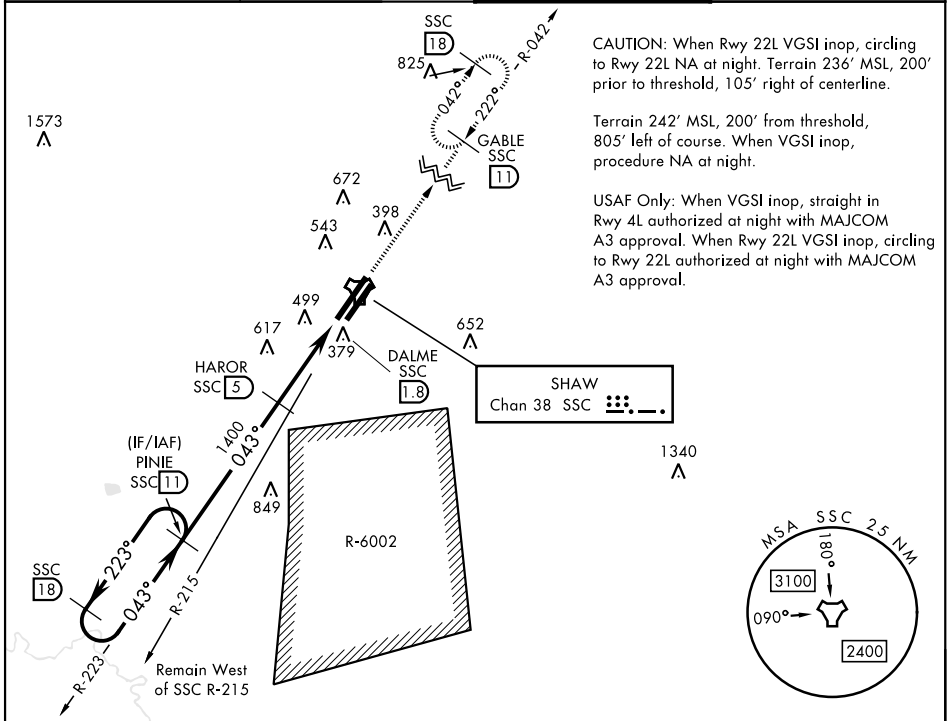
SHAW AFB (KSSC)

RADAR required when R-6002 active.
 * When ALS inop, increase CAT AB RVR to 55 and vis to 1 mile, CAT CDE vis to 1½ miles.



MISSED APPROACH: Climbing to 2000, intercept SSC TACAN R-042 to GABLE and hold.

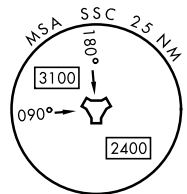
ATIS★ 132.125 270.1	APP CON★ 125.4 318.1	TOWER★ 126.65 254.25	GND CON 126.1 275.8
-------------------------------	--------------------------------	--------------------------------	-------------------------------



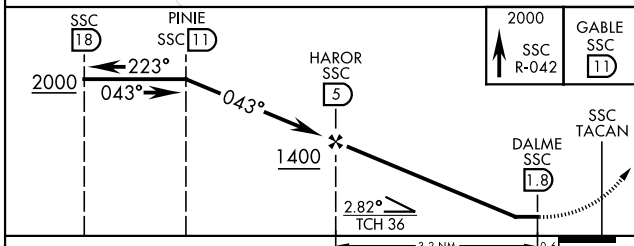
CAUTION: When Rwy 22L VGSi inop, circling to Rwy 22L NA at night. Terrain 236' MSL, 200' prior to threshold, 105' right of centerline.

Terrain 242' MSL, 200' from threshold, 805' left of course. When VGSi inop, procedure NA at night.

USAF Only: When VGSi inop, straight in Rwy 4L authorized at night with MAJCOM A3 approval. When Rwy 22L VGSi inop, circling to Rwy 22L authorized at night with MAJCOM A3 approval.

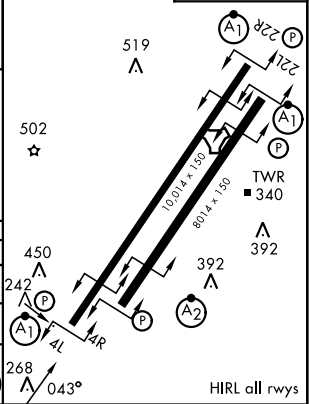


EMERG SAFE ALT 100 NM 3800



ELEV	241	TDZE 4L	240
		TDZE 4R	236

CATEGORY	A	B	C	D	E
S-4L *	800/50	560 (600-1)	800/60	560 (600-1½)	
SIDESTEP * 4R	800/50	564 (600-1)	800-1¾	564 (600-1½)	
CIRCLING	820-1 579 (600-1)	880-1 639 (700-1)	1000-2¼ 759 (800-2¼)	1000-2½ 759 (800-2½)	1000-2¾ 759 (800-2¾)



TACAN Y RWY 4L

SE-2, 11 JUN 2026 to 09 JUL 2026

SE-2, 11 JUN 2026 to 09 JUL 2026