

MOUNTAIN TWO DEPARTURE
(MOUNTN2.SEA) 14JUL22

(MOUNTN2.SEA) 23334
MOUNTAIN TWO DEPARTURE

SEATTLE DEP CON
119.2 284.7

RADAR and DME required.

PRINCETON
113.9 YDC
Chan 86

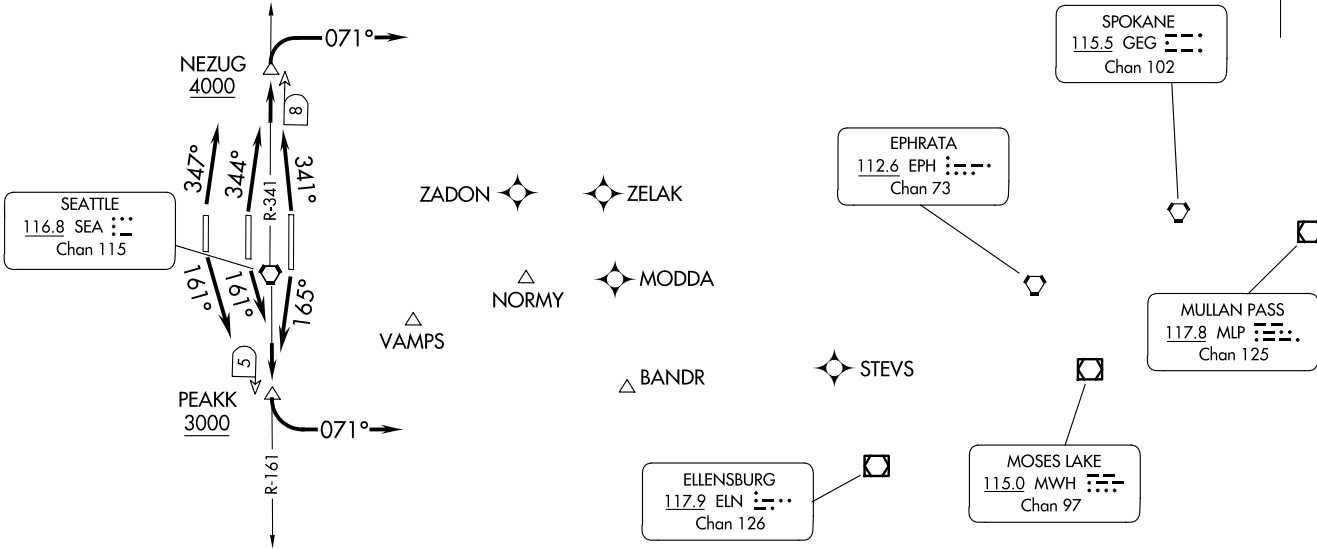
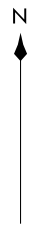
**TOP ALTITUDE:
ASSIGNED BY ATC**

ALPSE

PAINE
110.6 PAE
Chan 43

TAKEOFF MINIMUMS

Rwy 16L: Standard with minimum climb of 560' per NM to 3000.
Rwy 16C: Standard with minimum climb of 515' per NM to 3000.
Rwy 16R: Standard with minimum climb of 500' per NM to 3000.
Rwys 34L/C/R: Standard with minimum climb of 580' per NM to 4000.



SEATTLE
116.8 SEA
Chan 115

EPHRATA
112.6 EPH
Chan 73

SPOKANE
115.5 GEG
Chan 102

MULLAN PASS
117.8 MLP
Chan 125

MOSES LAKE
115.0 MWH
Chan 97

ELLENSBURG
117.9 ELN
Chan 126

(CONTINUED ON FOLLOWING PAGE)

NOTE: Chart not to scale.

SEATTLE WASHINGTON
SEATTLE-TACOMA INTL (SEA)

SEATTLE-TACOMA INTL (SEA)
SEATTLE WASHINGTON



DEPARTURE ROUTE DESCRIPTION

TAKEOFF RUNWAY 16L: Climb on heading 165° and SEA VORTAC R-161 to cross PEAKK/SEA 5 DME at or above 3000, then left turn on heading 071° for RADAR vectors to assigned route/fix, thence. . . .

TAKEOFF RUNWAYS 16C/R: Climb on heading 161° and SEA VORTAC R-161 to cross PEAKK/SEA 5 DME at or above 3000, then left turn on heading 071° for RADAR vectors to assigned route/fix, thence. . . .

TAKEOFF RUNWAY 34L: Climb on heading 347° and SEA VORTAC R-341 to cross NEZUG/SEA 8 DME at or above 4000, then right turn on heading 071° for RADAR vectors to assigned route/fix, thence. . . .

TAKEOFF RUNWAY 34C: Climb on heading 344° and SEA VORTAC R-341 to cross NEZUG/SEA 8 DME at or above 4000, then right turn on heading 071° for RADAR vectors to assigned route/fix, thence. . . .

TAKEOFF RUNWAY 34R: Climb on heading 341° and SEA VORTAC R-341 to cross NEZUG/SEA 8 DME at or above 4000, then right turn on heading 071° for RADAR vectors to assigned route/fix, thence. . . .

. . . .Maintain ATC assigned altitude, expect altitude/flight level 15 NM from SEA VORTAC.

LOST COMMUNICATIONS: If no contact with ATC leaving 4000', proceed direct SEA VORTAC, then proceed on course.

NW-1, 11 JUN 2026 to 09 JUL 2026

NW-1, 11 JUN 2026 to 09 JUL 2026