

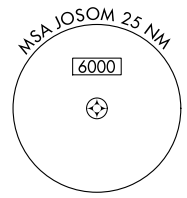
APP CRS 064°	Rwy Ldg TDZE Apt Elev	4743 2850 2857
------------------------	-----------------------------	---

RNAV (GPS) RWY 5

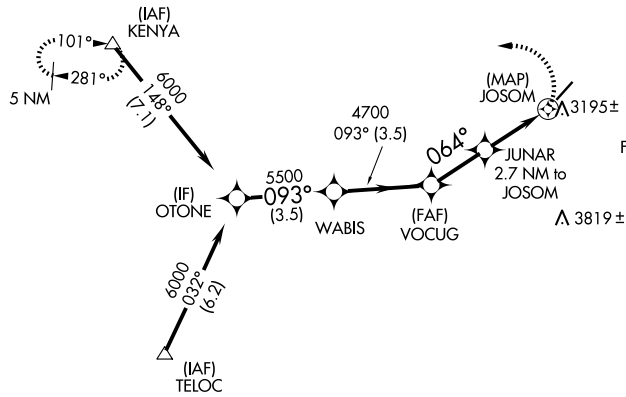
MERCER COUNTY (BLF)

RNP APCH.	MISSED APPROACH: Climbing left turn to 6000 direct KENYA and hold.
<p>Procedure NA at night. Rwy 5 helicopter visibility reduction below 1 SM NA.</p>	

ASOS 132.725	INDIANAPOLIS CENTER 126.575 257.85	CTAF 122.9
------------------------	--	----------------------

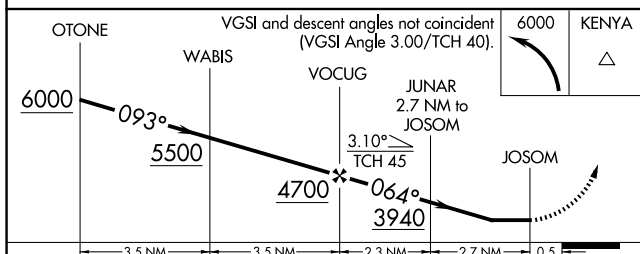
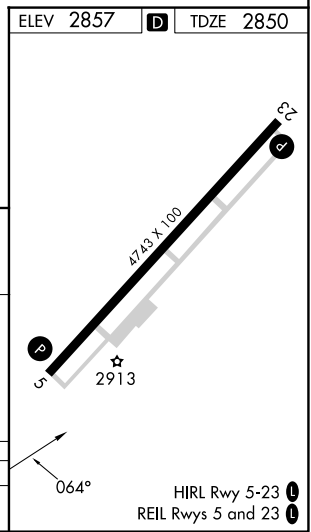


Procedure NA for arrivals at KENYA on V140 westbound.



Final approach course offset 15.00°

Procedure NA for arrivals at TELOC on V519 southwest bound.



CATEGORY	A	B	C	D
LNAV MDA	3560-1	710 (800-1)	3560-2 710 (800-2)	3560-2 1/4 710 (800-2 1/4)

NE-4, 11 JUN 2026 to 09 JUL 2026

NE-4, 11 JUN 2026 to 09 JUL 2026