

LOC/DME I-LHJ <b>111.55</b> Chan <b>52(Y)</b>	APP CRS <b>201°</b>	Rwy Ldg <b>8000</b> TDZE <b>871</b> Apt Elev <b>871</b>
---	------------------------	---

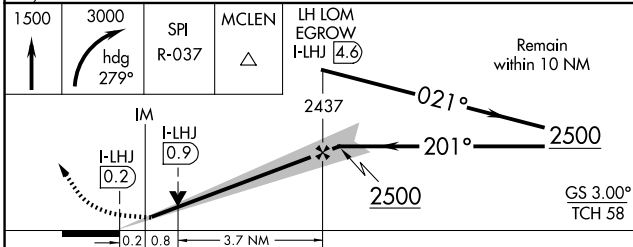
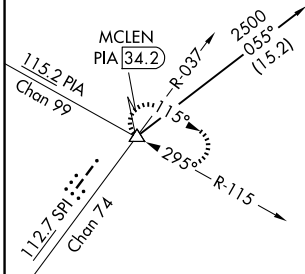
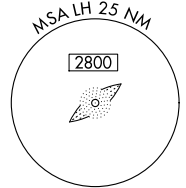
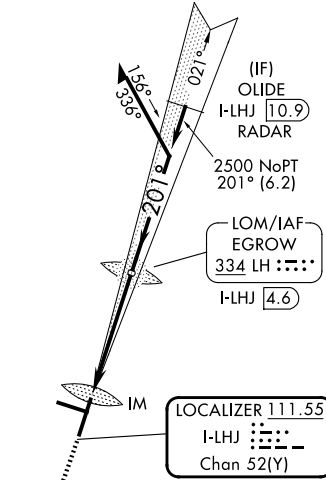
# ILS or LOC RWY 20

CENTRAL IL RGNL/BLOOMINGTON-NORMAL (BMI)

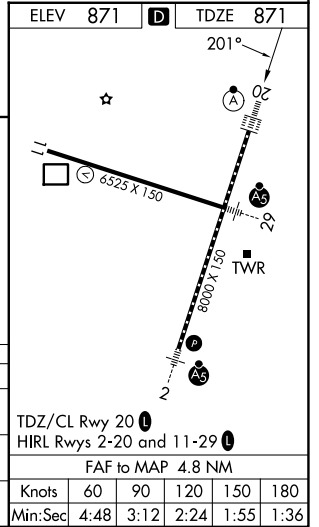
ADF or DME or RADAR required for LOC only. RADAR required for procedure entry at OLIDE.		ALSF-2 	MISSED APPROACH: Climb to 1500 then climbing right turn to 3000 on heading 279° and SPI VORTAC R-037 to MCLEN INT/PIA 34.2 DME and hold, continue climb-in-hold to 3000.		
⚠ VDP NA when using PIA altimeter setting. When local altimeter setting not received, use PIA altimeter setting: increase S-ILS 20 DA to 1187 feet and all visibilities to RVR 2400; increase all MDAs 120 feet and S-LOC 20 visibility Cats C and D to RVR 5500 and Circling visibility Cats C and D ¼ SM. For inop ALS when using PIA altimeter setting, increase S-ILS 20 all Cats visibility to RVR 4500 and S-LOC 20 Cats C and D visibility to 1¾ SM.	ATIS <b>119.575</b>		SAINT LOUIS APP CON <b>128.725 256.9</b>	BLOOMINGTON TOWER ★ <b>124.6 (CTAF) 269.575</b>	GND CON <b>121.65</b>

ALTERNATE MISSED APCH FIX

LOM  
EGROW  
I-LHJ **4.6**  
LH : : : :  
**334**



CATEGORY	A	B	C	D
S-ILS 20	1071/18		200 (200-½)	
S-LOC 20	1260/24	389 (400-½)	1260/35	389 (400-¾)
CIRCLING	1340-1 469 (500-1)		1620-2¼ 749 (800-2¼)	1620-2½ 749 (800-2½)



# ILS or LOC RWY 20

EC-3, 11 JUN 2026 to 09 JUL 2026

EC-3, 11 JUN 2026 to 09 JUL 2026