

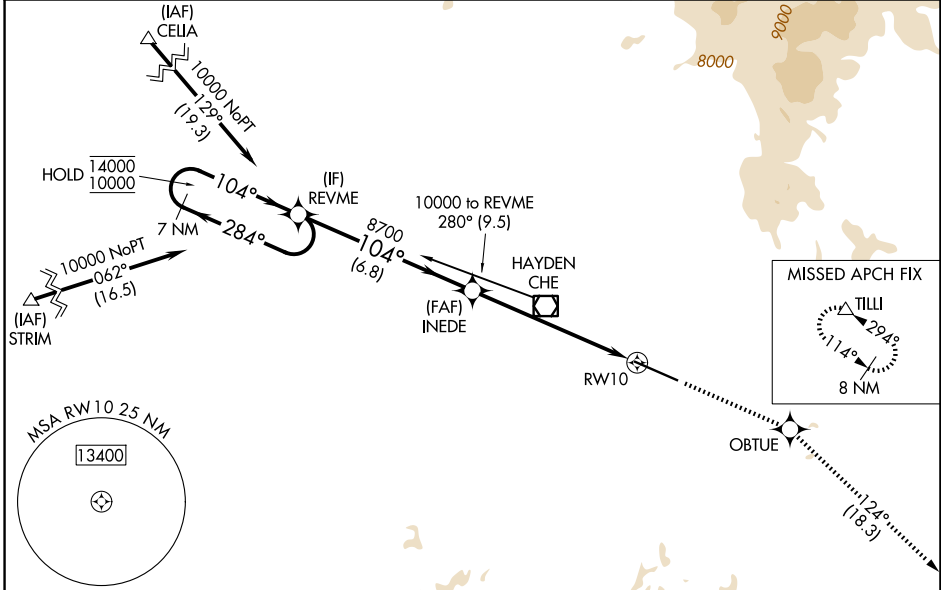
WAAS CH 53410 W10A	APP CRS 104°	Rwy Ldg TDZE Apt Elev	9490 6591 6606
--	------------------------	-----------------------------	---

RNAV (GPS) Y RWY 10

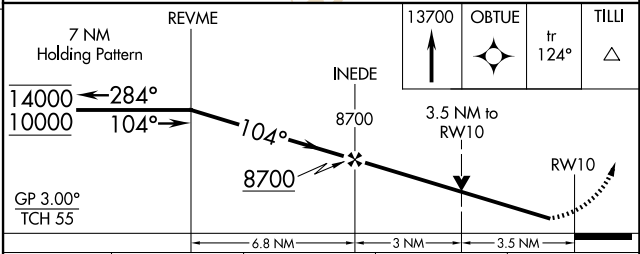
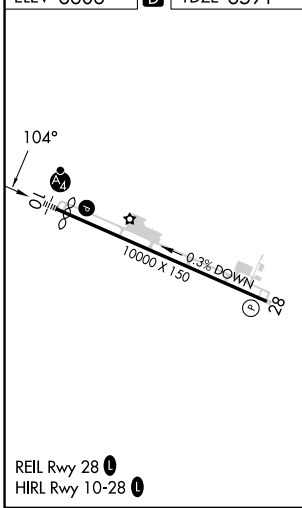
YAMPA VALLEY (HDN)

RNP APCH-GPS.	MALSF 	MISSED APPROACH: Climb to 13700 direct OBTUE and on track 124° to TILLI and hold, continue climb-in-hold to 13700. * Missed approach requires minimum climb of 295 feet per NM to 8700.
▼ Rwy 10 helicopter visibility reduction below 3/4 SM NA. ▲ Inop table does not apply to *LPV all Cats, LNAV/VNAV all Cats, and LNAV Cats C/D. For uncompensated Baro-VNAV systems, LNAV/VNAV NA below -28°C or above 54°C.		

AWOS-3 119.275	DENVER CENTER 120.475 235.975	UNICOM 123.0 (CTAF) 0
--------------------------	---	---------------------------------



ELEV 6606	D	TDZE 6591
-----------	----------	-----------



CATEGORY	A	B	C	D
LPV DA*	6791-3/4 200 (200-3/4)			
LPV DA	7327-13/4 736 (800-13/4)			
LNAV/VNAV DA	7966-5 1375 (1400-5)			
LNAV MDA	7760-1 1169 (1200-1)	7760-1 1/4 1169 (1200-1 1/4)	7760-3	1169 (1200-3)
CIRCLING	7760-1 1/4 1154 (1200-1 1/4)	7760-1 1/2 1154 (1200-1 1/2)	7760-3 1154 (1200-3)	8180-3 1574 (1600-3)

SW-1, 11 JUN 2026 to 09 JUL 2026

SW-1, 11 JUN 2026 to 09 JUL 2026