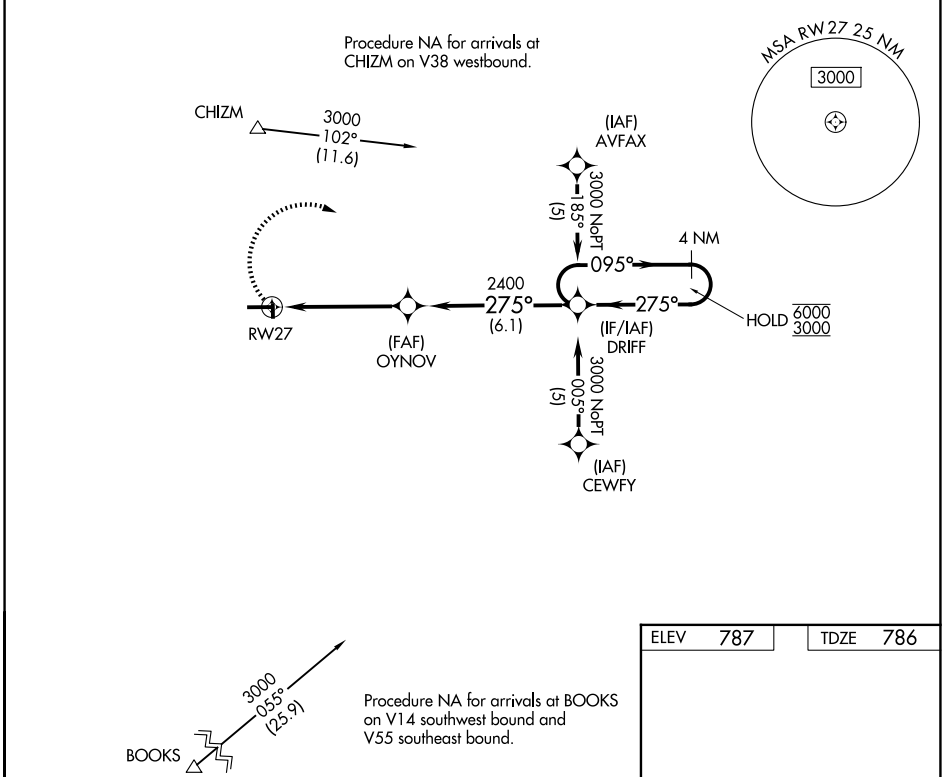


APP CRS 275°	Rwy Ldg TDZE Apt Elev	5005 786 787
------------------------	-----------------------------	---

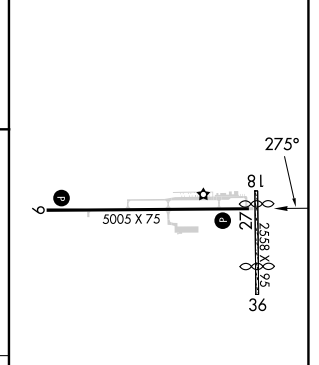
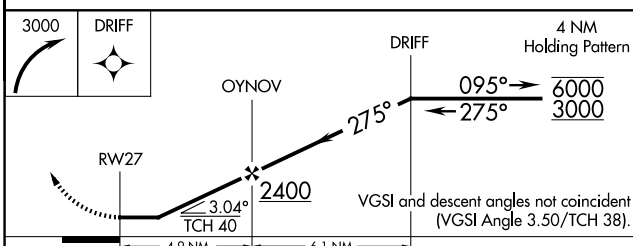
RNAV (GPS) RWY 27

VAN WERT COUNTY (VNW)

RNP APCH - GPS.		MISSED APPROACH: Climbing right turn to 3000 direct DRIF and hold.
<p>▼ Circling NA to Rwys 18 and 36. Procedure NA at night. Rwy 27 helicopter visibility reduction below 1 SM NA.</p> <p>▲</p>	AWOS-3 125.175	FORT WAYNE APP CON 127.2 284.6
		UNICOM 123.0 (CTAF)



ELEV	787	TDZE	786
------	-----	------	-----



CATEGORY	A	B	C	D
LNVA MDA	1280-1	494 (500-1)	1280-1 ³ / ₈ 494 (500-1 ³ / ₈)	1280-1 ¹ / ₂ 494 (500-1 ¹ / ₂)
CIRCLING	1340-1	553 (600-1)	1340-1 ¹ / ₂ 553 (600-1 ¹ / ₂)	1600-2 ³ / ₄ 813 (900-2 ³ / ₄)

MIRL Rwy 9-27

REIL Rws 9 and 27

EC-2, 11 JUN 2026 to 09 JUL 2026

EC-2, 11 JUN 2026 to 09 JUL 2026