

APP CRS <b>273°</b>	Rwy Idg <b>4850</b>
	TDZE <b>778</b>
	Apt Elev <b>790</b>

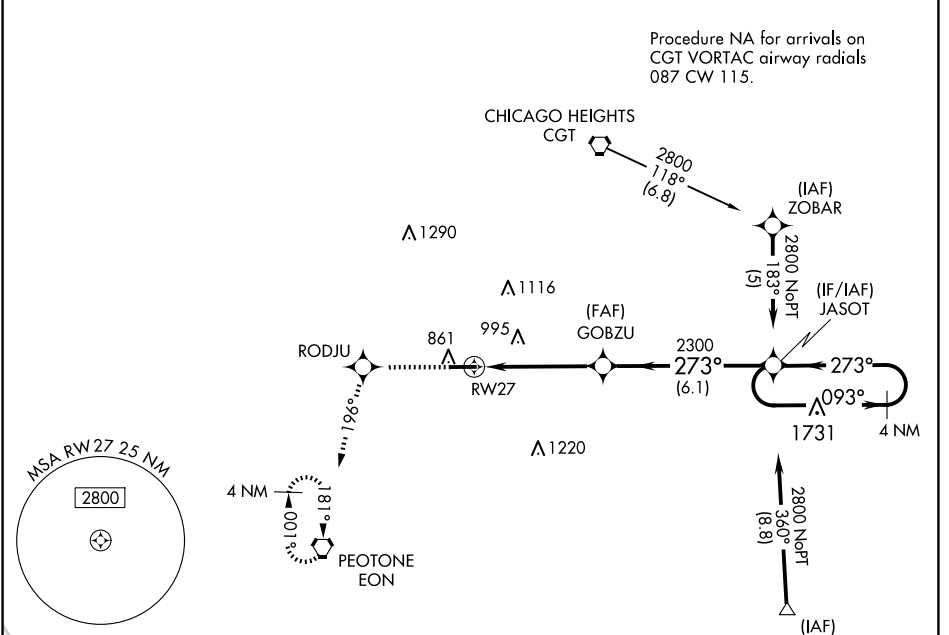
# RNAV (GPS) RWY 27

BULT FLD (C56)

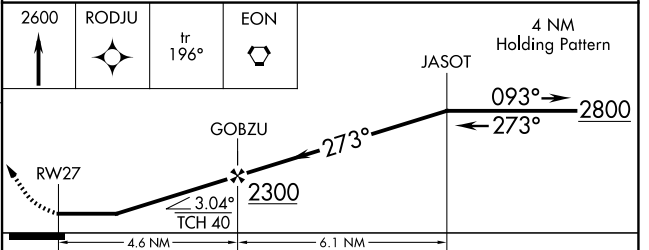
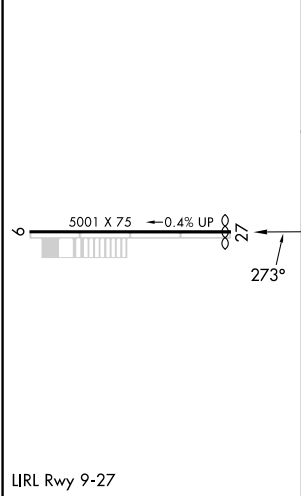
**NA** DME/DME RNP-0.3 NA. Visibility reduction by helicopters NA. Use Lansing Muni altimeter setting, when not received, use Chicago Midway Intl altimeter setting and increase all MDA 40 feet. Procedure NA at night.

MISSED APPROACH: Climb to 2600 direct RODJU and via 196° track to EON VORTAC and hold.

AWOS-AV <b>119.125</b>	IGQ AWOS-3PT <b>124.925</b>	CHICAGO CENTER <b>132.5 284.7</b>	UNICOM <b>123.0 (CTAF)</b>
---------------------------	--------------------------------	--------------------------------------	-------------------------------



ELEV 790	TDZE 778
----------	----------



CATEGORY	A	B	C	D
LNAV MDA	1320-1	542 (600-1)	1320-1½ 542 (600-1½)	NA
CIRCLING	1320-1 530 (600-1)	1400-1 610 (700-1)	1400-1¾ 610 (700-1¾)	NA

EC-3, 11 JUN 2026 to 09 JUL 2026

EC-3, 11 JUN 2026 to 09 JUL 2026