

VOR OZB 109.0	APP CRS 287°	Rwy Ldg TDZE Apt Elev N/A N/A 2559
-------------------------	------------------------	---

VOR-A

GOTHENBURG MUNI (GTE)

NA Circling NA to Rwys 14 and 32. Procedure NA at night. Use Lexington altimeter setting; when not received, use North Platte altimeter setting and increase all MDA 40 feet.

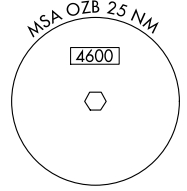
MISSED APPROACH: Climbing right turn to 4300 direct OZB VOR and hold.

LXN AWOS-3
121.025

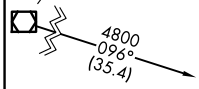
DENVER CENTER
132.7 226.675

UNICOM
122.8 (CTAF)

Procedure NA for arrival on LBF VOR/DME airway radials 062 CW 080.

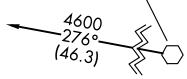


NORTH PLATTE
117.4 LBF Chan 121

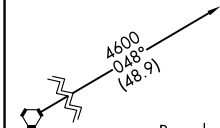


Procedure NA for arrivals at EAR VOR on V220 northeast bound.

KEARNEY
111.2 EAR

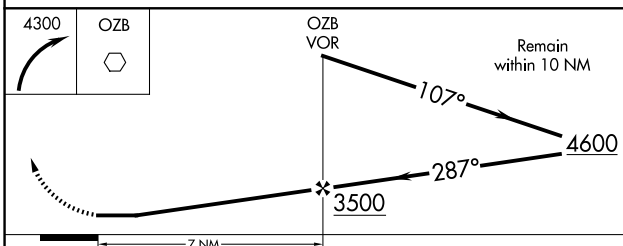
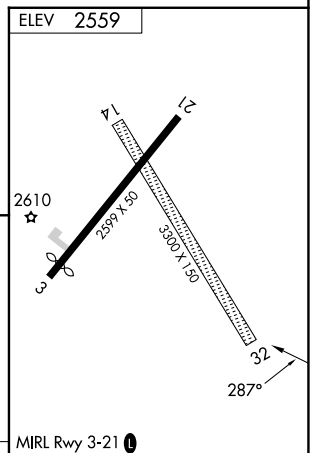


IAF
COZAD
109.0 OZB



Procedure NA for arrival on HCT VORTAC airway radials 048 CW 063.

HAYES CENTER
117.7 HCT Chan 124



CATEGORY	A	B	C	D
CIRCLING	3120-1 561 (600-1)	3180-1 621 (700-1)	NA	

FAF to MAP 7 NM					
Knots	60	90	120	150	180
Min:Sec	7:00	4:40	3:30	2:48	2:20

VOR-A

NC-2, 11 JUN 2026 to 09 JUL 2026

NC-2, 11 JUN 2026 to 09 JUL 2026