

**TOP ALTITUDE:  
ASSIGNED BY ATC**

(AEX3.AEX) 25331

ALEXANDRIA THREE DEPARTURE

AL-4453 (FAA)

TEXAS GULF COAST RGNL (LJBX)  
ANGLETON/LAKE JACKSON, TEXAS

HOUSTON DEP CON  
134.45 284.0  
ASOS  
119.925  
CLNC DEL  
125.2  
CTAF  
123.0

LUFKIN  
112.1 LFK  
Chan 58

ALEXANDRIA  
116.1 AEX  
Chan 108

MC COMB  
116.7 MCB  
Chan 114

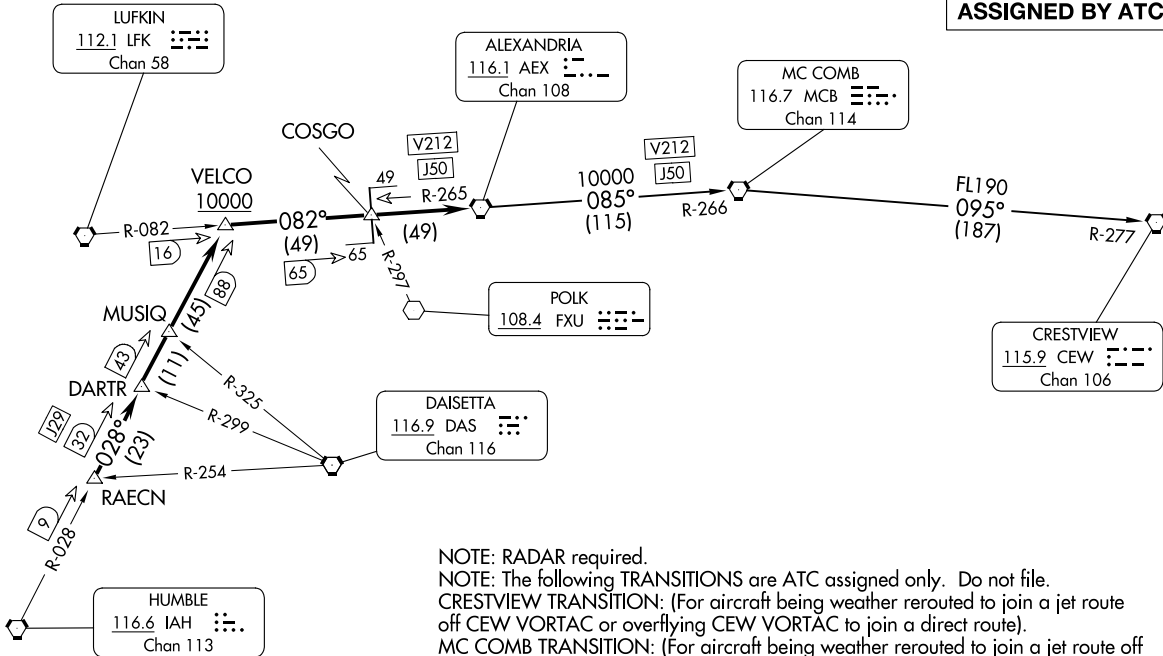
POLK  
108.4 FXU

DAISETTA  
116.9 DAS  
Chan 116

HUMBLE  
116.6 IAH  
Chan 113

TAKEOFF MINIMUMS  
Rwys 17, 35: Standard.

NOTE: RADAR required.  
NOTE: The following TRANSITIONS are ATC assigned only. Do not file.  
CRESTVIEW TRANSITION: (For aircraft being weather rerouted to join a jet route off CEW VORTAC or overflying CEW VORTAC to join a direct route).  
MC COMB TRANSITION: (For aircraft being weather rerouted to join a jet route off MCB VORTAC or overflying MCB VORTAC to join a direct route).



NOTE: Chart not to scale.

(CONTINUED ON FOLLOWING PAGE)

ALEXANDRIA THREE DEPARTURE  
(AEX3.AEX) 07OCT21

ANGLETON/LAKE JACKSON, TEXAS  
TEXAS GULF COAST RGNL (LJBX)

# ALEXANDRIA THREE DEPARTURE



## DEPARTURE ROUTE DESCRIPTION

TAKEOFF ALL RUNWAYS: When entering controlled airspace, climb on assigned heading for RADAR vectors to RAECN INT. Maintain ATC assigned altitude. Expect filed altitude 10 minutes after departure, thence. . . .

. . . .on IAH R-028 to VELCO INT, cross VELCO INT at or above 10000, then right turn on LFK R-082 and AEX R-265 to AEX VORTAC.

CRESTVIEW TRANSITION (AEX3.CEW): From over AEX VORTAC on AEX R-085 and MCB R-266 to MCB VORTAC, then on MCB R-095 and CEW R-277 to CEW VORTAC.

MC COMB TRANSITION (AEX3.MCB): From over AEX VORTAC on AEX R-085 and MCB R-266 to MCB VORTAC.

SC-5, 11 JUN 2026 to 09 JUL 2026

SC-5, 11 JUN 2026 to 09 JUL 2026