

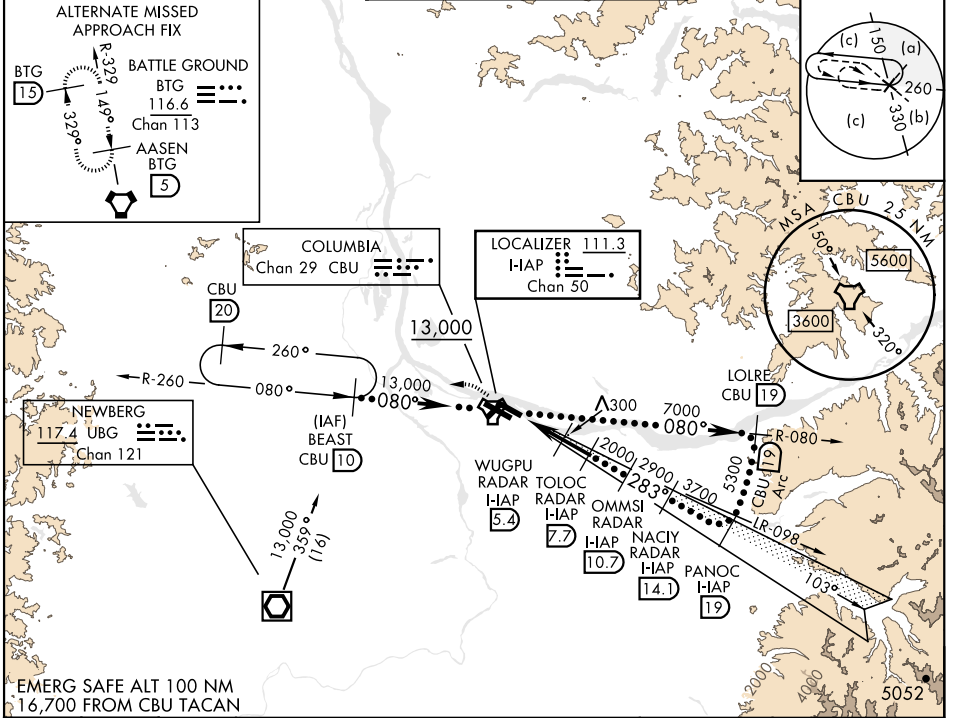
LOC/DME I-IAP <b>111.3</b> Chan <b>50</b>	APCH CRS <b>283°</b>	Rwy Idg TDZE Arpt Elev <b>9290</b> <b>31</b> <b>31</b>
---	-------------------------	---

[USAF]

PORTLAND INTL (KPDJ)

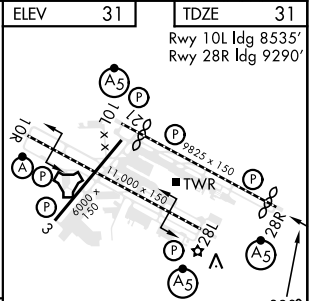
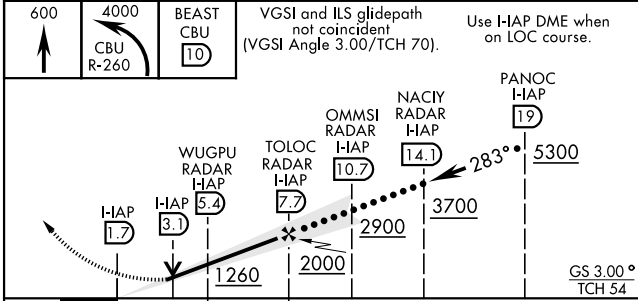
RADAR or DME required.		MALSR	MISSED APPROACH: Climb to 600 then climbing left turn to 4000 on CBU TACAN R-260 to BEAST/ CBU 10 DME and hold, continue climb in holding to 4000.	
------------------------	--	-------	--	--

ATIS <b>128.35 269.9</b>	APP CON <b>118.1 284.6</b> (100°-279°) <b>124.35 299.2</b> (280°-099°)	TOWER <b>118.7 257.8</b> Rwy 10L-28R <b>123.775 251.125</b> Rwy 3-21, 10R-28L	GND CON <b>121.9 348.6</b>	CLNC DEL <b>120.125 318.1</b>
-----------------------------	--	---	-------------------------------	----------------------------------



NW-1, 09 JUL 2026 to 06 AUG 2026

NW-1, 09 JUL 2026 to 06 AUG 2026



CATEGORY	C	D	E
S-ILS 28R *	281/24	250	(300-½)
S-LOC 28R **	560/55	529	(600-1)
CIRCLING	1060-3	1029	(1100-3)
			1140-3 1109 (1200-3)

ELEV	31	TDZE	31
			Rwy 10L Idg 8535' Rwy 28R Idg 9290'
REIL Rwy 3 and 21 TDZL/CL Rwy 10R MIRL Rwy 3-21 HIRL Rwy 10L-28R and 10R-28L			
FAF to MAP 6 NM			
Knots	120	140	160 180 200
Min:Sec	3:00	2:34	2:15 2:00 1:48