

WAAS CH 53410 W10A	APP CRS 104°	Rwy Ldg TDZE Apt Elev	9490 6591 6606
--	------------------------	-----------------------------	---

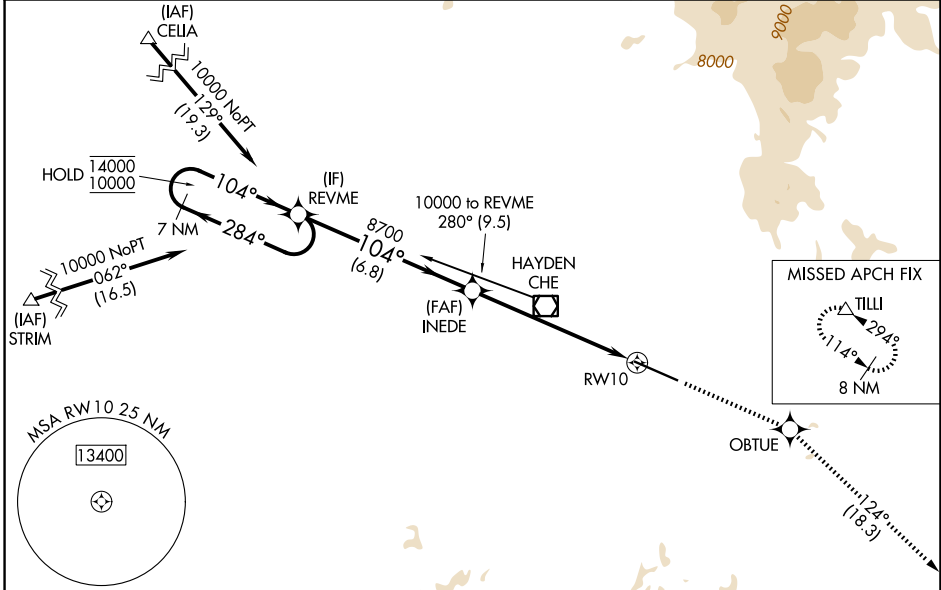
RNAV (GPS) Y RWY 10

YAMPA VALLEY (HDN)

RNP APCH-GPS.

MAJ MISSED APPROACH: Climb to 13700 direct OBTUE and on track 124° to TILLI and hold, continue climb-in-hold to 13700.
* Missed approach requires minimum climb of 295 feet per NM to 8700.

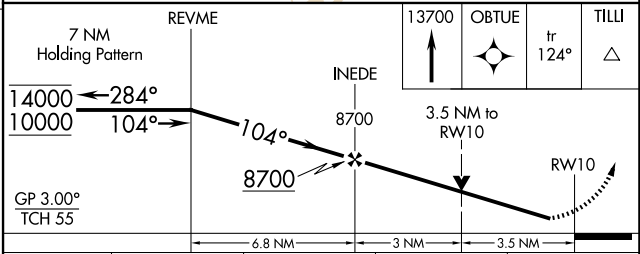
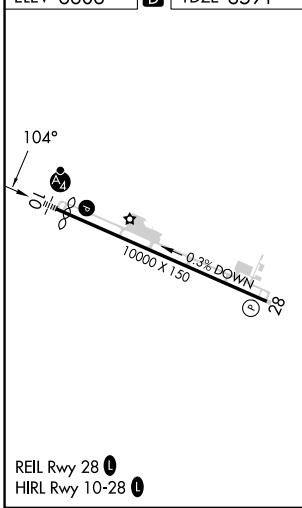
AWOS-3 119.275	DENVER CENTER 120.475 235.975	UNICOM 123.0 (CTAF)
--------------------------	---	-------------------------------



SW-1, 09 JUL 2026 to 06 AUG 2026

SW-1, 09 JUL 2026 to 06 AUG 2026

ELEV 6606	D	TDZE 6591
-----------	----------	-----------



CATEGORY	A	B	C	D
LPV DA*		6791-3/4	200 (200-3/4)	
LPV DA		7327-13/4	736 (800-13/4)	
LNAV/VNAV DA		7966-5	1375 (1400-5)	
LNAV MDA	7760-1 1169 (1200-1)	7760-1 1/4 1169 (1200-1 1/4)	7760-3	1169 (1200-3)
CIRCLING	7760-1 1/4 1154 (1200-1 1/4)	7760-1 1/2 1154 (1200-1 1/2)	7760-3 1154 (1200-3)	8180-3 1574 (1600-3)