

WILLIAMSON-SODUS (See WILLIAMSON/SODUS on page 260)

WILLIAMSON/SODUS

WILLIAMSON-SODUS (SDC)(KSDC) 3 W UTC-5(-4DT) N43°14.08' W77°07.17'

DETROIT
L-31E, 32F
IAP

424 B TPA-1400(976) NOTAM FILE BUF

RWY 10-28: H3803X60 (ASPH) S-12 MIRL

RWY 10: REIL. PAPI(P2L)—GA 3.0° TCH 40'. Tree.

RWY 28: REIL. PAPI(P2R)—GA 3.2° TCH 42'. Tree.

SERVICE: S4 FUEL 100LL LGT ACTIVATE REIL Rwy 10 and Rwy 28;
MIRL Rwy 10-28—CTAF.

AIRPORT REMARKS: Attended Mon-Fri 1330-2200Z \ddagger . Credit card fuel avbl
24 hrs. Geese and deer on and invof arpt.

AIRPORT MANAGER: 315-483-6011

WEATHER DATA SOURCES: AWOS-3 124.2 (315) 483-6171.

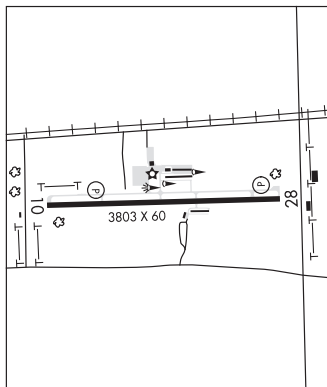
COMMUNICATIONS: CTAF/UNICOM 122.8

Ⓡ **ROCHESTER APP/DEP CON** 119.55

CLEARANCE DELIVERY PHONE: For CD ctc Cleveland ARTCC at
440-774-0490.

RADIO AIDS TO NAVIGATION: NOTAM FILE ROC.

ROCHESTER (L) (L) VOR/DME 110.0 ROC Chan 37 N43°07.08'
W77°40.37' 086° 25.3 NM to fld. 545/12W.



WURTSBORO/SULLIVAN CO (N82) 2 NE UTC-5(-4DT) N41°35.87' W74°27.55'

NEW YORK
L-33A, 34H
IAP

548 NOTAM FILE ISP

RWY 05-23: H3591X60 (ASPH) S-30 0.3% up SW

RWY 05: Thld dsplcd 233'. Pole.

RWY 23: Trees.

RWY 09-27: 1101X110 (TURF) 0.7% up W

RWY 09: Trees.

RWY 27: Trees.

SERVICE: FUEL 100LL

AIRPORT REMARKS: Attended 1400-2200Z \ddagger . Winter months attended till
dusk. Extensive glider activity. Deer on and in vicinity of arpt. Twr
elevation 1690' MSL 250' AGL, located 9000' NE thld apch Rwy
23.

AIRPORT MANAGER: (845) 888-2791

COMMUNICATIONS: CTAF/UNICOM 122.8

Ⓡ **NEW YORK APP/DEP CON** 132.75

CLEARANCE DELIVERY PHONE: For CD ctc New York Apch at 516-683-2448

RADIO AIDS TO NAVIGATION: NOTAM FILE ISP.

KINGSTON (L) (L) VOR/DME 117.6 IGN Chan 123 N41°39.93'
W73°49.33' 274° 28.9 NM to fld. 582/12W.

VOR portion unusable:
045°-050° byd 35 NM blo 4,300'
070°-140° byd 30 NM blo 3,400'

