

**HOBART RGNL** (HBR)(KHBR) 3 SE UTC-6(-5DT) N34°59.40' W99°03.18'

**DALLAS-FT WORTH**

1563 B NOTAM FILE HBR MON Airport

H-6H, L-17B

**RWY 17-35:** H507X100 (ASPH) S-20 MIRL 0.4% up S

**RWY 17:** PAPI(P4L)—GA 3.0° TCH 35'.

**RWY 35:** PAPI(P4L)—GA 3.0° TCH 42'.

**RWY 03-21:** H2975X60 (ASPH) S-9.4 0.5% up SW

**SERVICE:** FUEL 100LL, JET A

**AIRPORT REMARKS:** Attended Mon-Fri 1400-2200Z. Fuel avbl 24 hr self svc with major credit card.

**AIRPORT MANAGER:** 580-726-2719

**WEATHER DATA SOURCES:** ASOS 133.325 (580) 726-6651.

**COMMUNICATIONS:** CTAF/UNICOM 122.8

**RCO 122.2** (MC ALESTER RADIO)

Ⓡ **ALTUS APP/DEP CON** 125.1 (Mon-Fri 1500-0830Z, clsd weekends and holidays. Other times ctc)

Ⓡ **FORT WORTH CENTER APP/DEP CON** 128.4

**CLEARANCE DELIVERY PHONE:** For CD if una to ctc on FSS freq, ctc Fort Worth ARTCC at 817-858-7584.

**AIRSPACE:** CLASS E.

**RADIO AIDS TO NAVIGATION:** NOTAM FILE HBR.

(L) (L) **VORTACW** 111.8 HBR Chan 55 N34°51.99'

W99°03.80' 354° 7.4 NM to fld. 1472/10E.

VOR unusable:

080°-120° byd 30 NM blo 4,000'

TACAN AZIMUTH unusable:

080°-090° byd 25 NM blo 4,500'

100°-112° byd 25 NM blo 4,500'

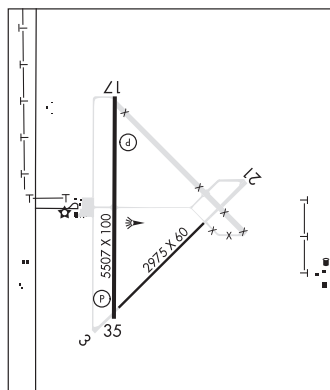
240°-270° byd 25 NM blo 4,500'

DME unusable:

080°-090° byd 25 NM blo 4,500'

100°-112° byd 25 NM blo 4,500'

240°-270° byd 25 NM blo 4,500'



**HOLDENVILLE MUNI** (F99) 1 NW UTC-6(-5DT) N35°05.15' W96°25.00'

**DALLAS-FT WORTH**

861 B NOTAM FILE MLC

L-17D

**RWY 17-35:** H3251X100 (CONC) S-30, D-42 MIRL

IAP

**RWY 35:** P-line.

**AIRPORT REMARKS:** Unattended. 125' AGL silo, .3 NM west Rwy 35 thld.

Rwy 17-35 surface severe cracking, spalling and deterioration.

**AIRPORT MANAGER:** 254-368-4635

**COMMUNICATIONS:** CTAF 122.9

Ⓡ **FORT WORTH CENTER APP/DEP CON** 132.2

**CLEARANCE DELIVERY PHONE:** For CD ctc Fort Worth ARTCC at 817-858-7584.

**RADIO AIDS TO NAVIGATION:** NOTAM FILE OKM.

**OKMULGEE (VH) (DH) VORW/DME** 114.9 OKM Chan 96 N35°41.58'

W95°51.96' 209° 45.3 NM to fld. 774/8E.

