

ELECTRIC CITY

GRAND COULEE DAM (3W7) 2 SW UTC-8(-7DT) N47°55.32' W119°04.98'

SEATTLE
L-13A

1593 B NOTAM FILE SEA

RWY 04-22: H4203X75 (ASPH) S-26 MIRL

RWY 04: Hill.

RWY 22: Ground. Rgt tfc.

SERVICE: LGT ACTIVATE MIRL Rwy 04-22—CTAF.

AIRPORT REMARKS: Unattended. Geese and other wildlife invof runway.

AIRPORT MANAGER: 509-631-4797

WEATHER DATA SOURCES: AWOS-3PT 128.325 (509) 631-8955.

COMMUNICATIONS: CTAF 122.9

CLEARANCE DELIVERY PHONE: For CD ctc Seattle ARTCC at 253-351-3694.

RADIO AIDS TO NAVIGATION: NOTAM FILE EPH.

EPHRATA (VH) (H) VORTACW 112.6 EPH Chan 73 N47°22.68'

W119°25.44' 002° 35.5 NM to fld. 1250/21E.

VOR unusable:

010°-014° byd 40 NM

042°-054° byd 40 NM

214°-228° byd 40 NM blo 7,000'

214°-228° byd 52 NM blo 10,000'

214°-228° byd 77 NM

229°-247° byd 40 NM

310°-350° byd 25 NM blo 6,500'

310°-353° byd 40 NM

358°-004° byd 40 NM

TACAN AZIMUTH unusable:

280°-295° byd 25 NM blo 7,000'

310°-350° byd 25 NM blo 6,500'

DME unusable:

280°-295° byd 25 NM blo 7,000'

310°-350° byd 25 NM blo 6,500'



ELLENSBURG

BOWERS FLD (ELN)(KELN) 2 N UTC-8(-7DT) N47°02.09' W120°31.73'

SEATTLE
H-1C, L-13A
IAP

1763 B TPA—2597(834) NOTAM FILE ELN

RWY 11-29: H4300X150 (CONC) S-35, D-57, 2D-100 MIRL

0.4% up NW

RWY 29: PAPI(P4R)—GA 3.0° TCH 40'.

SERVICE: S4 FUEL 100LL, JET A LGT ACTVT MIRLS Rwy 11-29,

PAPI Rwy 29—CTAF.

AIRPORT REMARKS: Attended Mon-Fri 1500-0000Z±. 100LL and Jet A self

svc fuel avbl with credit card. FS Jet A avbl upon req. Dist to go mkr

N side of Rwy 11-29. Rwy 11-29 has 1,460' stopway NW end.

Twys Alpha, Charlie, Echo clsd. Extv flt trng at or blo 7,500' within

10 NM of ELN (mnt 123.0).

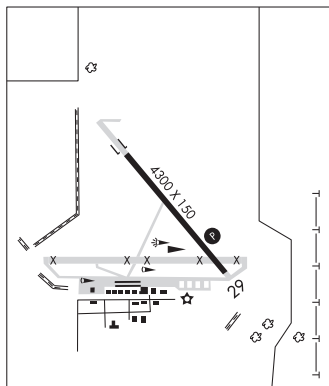
AIRPORT MANAGER: 509-607-6134

WEATHER DATA SOURCES: ASOS 118.375 (509) 925-2040.

COMMUNICATIONS: CTAF/UNICOM 123.0

ELLENSBURG RCO 122.2 (SEATTLE RADIO)

SEATTLE CENTER APP/DEP CON 132.6



CONTINUED ON NEXT PAGE

CONTINUED FROM PRECEDING PAGE

CLEARANCE DELIVERY PHONE: For CD if una to ctc on FSS freq, ctc Seattle ARTCC at 253-351-3694.

RADIO AIDS TO NAVIGATION: NOTAM FILE ELN.

ELLENSBURG (VH) (DH) VOR/DME 117.9 ELN Chan 126 N47°01.46' W120°27.50' 261° 3.0 NM to fld. 1771/21E.

VOR unusable:

- 001°-024° byd 40 NM
- 025°-040° byd 25 NM
- 040°-065° byd 34 NM
- 065°-075° byd 34 NM blo 18,000'
- 075°-080° byd 34 NM
- 081°-089° byd 40 NM
- 090°-158° byd 10 NM
- 158°-163° byd 27 NM
- 163°-248° byd 33 NM
- 248°-268° byd 33 NM blo 10,000'
- 288°-296° byd 40 NM
- 300°-350° byd 25 NM
- 350°-025° byd 25 NM blo 18,000'

DME unusable:

- 025°-070° byd 21 NM
- 070°-090° byd 34 NM
- 090°-158° byd 10 NM
- 158°-163° byd 27 NM
- 163°-268° byd 33 NM
- 300°-350° byd 21 NM
- 350°-025° byd 15 NM

ELWHA N48°09.01' W123°40.22' NOTAM FILE CLM.

NDB (MHW/LOM) 515 CL 089° 7.1 NM to William R Fairchild Intl. 1096/16E.

NDB unusable:

- 100°-235° byd 12 NM

SEATTLE
L-1E

EPHRATA MUNI (EPH)(KEPH) 2 SE UTC-8(-7DT) N47°18.48' W119°31.01'

1276 B NOTAM FILE EPH MON Airport

RWY 03-21: H5500X75 (ASPH) S-30, D-60, 2S-114 MIRL

RWY 03: REIL. PAPI(P4L)—GA 3.0° TCH 40'. Ground. Rgt tfc. 0.3% up.

RWY 21: REIL. PAPI(P4L)—GA 3.0° TCH 40'.

RWY 11-29: H3843X60 (ASPH) S-12 MIRL

RWY 11: REIL. Ground.

RWY 29: REIL. PAPI(P2L)—GA 3.0° TCH 40'.

RWY 04-22: H3467X150 (ASPH) S-12

RWY 22: Rgt tfc.

SERVICE: S2 FUEL 100LL LGT ACTVT REIL Rwy 03, 11, 21 and 29; MIRL Rwy 03-21 and MIRL Rwy 11-29—CTAF. PAPI Rwy 29, Rwy 03 and Rwy 21 opr consly.

AIRPORT REMARKS: Attended Mon-Fri 1530-0000Z‡. Conditions not monitored Mon-Fri 0000-1500Z‡, conditions not monitored Sat-Sun and hol. Fuel 24 hr credit card svc avbl. Rwy 04-22 glds use 1 Apr to 1 Nov. Be alert aerobatic acft activity over center of arpt. Ultralight activity invof arpt. Heavy glider activity from apron area Apr-Oct.

AIRPORT MANAGER: 509-754-3508

WEATHER DATA SOURCES: ASOS 135.775 (509) 754-3761.

COMMUNICATIONS: CTAF/UNICOM 122.8

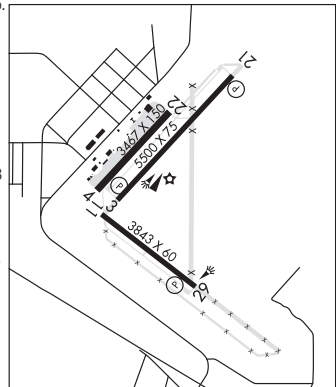
RCO 122.2 (SEATTLE RADIO)

® GRANT COUNTY APP/DEP CON 126.4 (1400-0600Z‡)

® SEATTLE CENTER APP/DEP CON 126.1 (0600-1400Z‡)

CLEARANCE DELIVERY PHONE: For CD if una to ctc on FSS freq, ctc Grant County Apch at 509-762-2842. when Apch clsd ctc Seattle ARTCC at 253-351-3694.

SEATTLE
H-1C, L-13A
IAP



CONTINUED ON NEXT PAGE