

**BOONVILLE** (D83) 1 NW UTC-8(-7DT) N39°00.84' W123°22.89'

SAN FRANCISCO

379 TPA—1179(800) NOTAM FILE OAK

**RWY 13-31:** H2838X50 (ASPH) S-30 0.9% up SE

**RWY 13:** Thld dsplcd 253'. Trees.

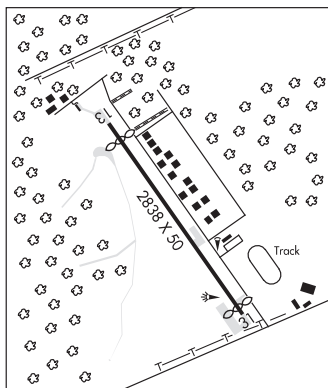
**RWY 31:** Thld dsplcd 95'. Hill. Rgt tfc.

**AIRPORT REMARKS:** Unattended. Ditch SW side of Rwy 13-31. Back taxi on rwy, do not mistake county road for taxiway. Pavement gross weight strength estimated by arpt manager 12,500 pounds.

**AIRPORT MANAGER:** 707-234-9593

**COMMUNICATIONS:** CTAF/UNICOM 122.7

**CLEARANCE DELIVERY PHONE:** For CD ctc Oakland ARTCC at 510-745-3380.



## BORREGO SPRINGS

**BORREGO VALLEY** (LØ8) 3 E UTC-8(-7DT) N33°15.54' W116°19.26'

LOS ANGELES

522 B NOTAM FILE SAN

H-4I, L-4I

**RWY 08-26:** H5011X75 (ASPH) S-30, D-54, 2D-90 MIRL

IAP

**RWY 08:** PAPI(P2L)—GA 3.0° TCH 28'. Rgt tfc.

**RWY 26:** PAPI(P2L)—GA 3.0° TCH 28'.

**SERVICE:** **FUEL** 100LL **LGT** ACTIVATE MIRL Rwy 08-26, twy lghts—CTAF (5 clicks on). Rwy 08 VGSI unusable byd 3.0 NM due to terrain.

**NOISE:** Noise sensitive area N-NW. Do not overfly elementary school 1 NM west of arpt.

**AIRPORT REMARKS:** Attended 1600-0000Z±. Coyotes and migratory birds occnlly on or invof arpt. Fuel self svc 24 hr. Be aware of frequent changes in wind direction, strong up/down drafts and turbulence possible during high wind conditions. Aerobatic box north side of arpt dur dalgt hrs from sfc to 5000' MSL, check NOTAMs for act. 140' twr 1600' north of Rwy 08. Rwy 08 has 400' blast pad byd end of rwy. During hot wx heavy acft parking restricted conc pads on outer transient ramp. All acft tfc pat to south. Transient tie-down ramp restricted to acft with wingspan 40 ft or less. Acft with greater than 40 ft wingspan park on portion of transient ramp east of A6. Hovers, skid landings, auto-rotations prohibited. PPR for all mil acft, ctc arpt manager. Military rotorcraft ops restricted to remain on or over pavement area, TGL restricted to rwy. Parachute Jumping.

**AIRPORT MANAGER:** (760) 767-7415

**WEATHER DATA SOURCES:** AWOS-3P 126.575 (760) 767-3308.

**COMMUNICATIONS:** CTAF/UNICOM 122.8

Ⓡ L.A. CENTER APP/DEP CON 128.6

**CLEARANCE DELIVERY PHONE:** For CD ctc Los Angeles ARTCC at 661-575-2079.

**RADIO AIDS TO NAVIGATION:** NOTAM FILE SAN.

**JULIAN (VL) (L) VORTACW** 114.0 JLI Chan 87 N33°08.43' W116°35.16' 047° 15.1 NM to fld. 5560/15E.

VOR unusable:

007°-010° byd 40 NM

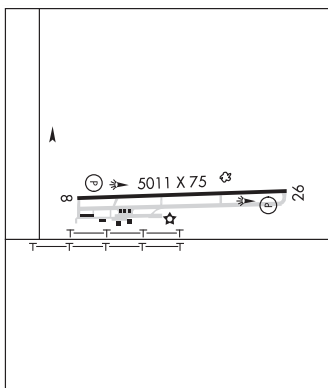
336°-339° byd 40 NM

344°-355° byd 40 NM

356°-006° byd 40 NM blo 14,500'

356°-006° byd 70 NM

**COMM/NAV/WEATHER REMARKS:** UNICOM staffed 1600-0000Z±. Acft must self-announce on CTAF prior to ldg or tkof.



**BORREGO VALLEY** (See BORREGO SPRINGS on page 120)

**BRACKETT FLD** (See LA VERNE on page 182)