

**UKIAH MUNI** (UKI)(KUKI) 1 S UTC-8(-7DT) N39°07.56' W123°12.05'

**SAN FRANCISCO**

617 B NOTAM FILE UKI

L-2G

**RWY 15-33:** H4423X150 (ASPH) S-28 MIRL 0.3% up N

IAP

**RWY 15:** REIL. PAPI(P4L)—GA 3.0° TCH 29'. Trees.

**RWY 33:** REIL. Trees. Rgt tfc.

**SERVICE:** S4 FUEL 100LL, JET A OX1 LGT ACTVT PAPI Rwy 15; REIL Rwy 15 and 33; MIRL Rwy 15-33—CTAF.

**NOISE:** For noise abatement calm wind rwy is Rwy 15. Arpt manager requests no VFR straight in apchs to Rwy 15-33 right turn after departure Rwy 33 to avoid overflight of town.

**AIRPORT REMARKS:** Attended May Mon-Fri 1600-0330Z†, Sat-Sun 1730-0330Z†; Jun Mon-Fri 1600-0400Z†, Sat-Sun 1730-0400Z†; Jul-Aug Mon-Fri 1600-0430Z†, Sat-Sun 1800-0430Z†; Sep Mon-Fri 1600-0400Z†, Sat-Sun 1730-0400Z†; Oct 1600-0330Z†; Nov 1600-0200Z†; Dec-Apr 1600-0130Z†. No jet acct dep 0600-1500Z†. Self-svc fuel avbl. Second rotating bcn on mountain 250° and 2 miles from arpt. Ldg fee for all acct over 12,500 lbs.

**AIRPORT MANAGER:** 707-467-2855

**WEATHER DATA SOURCES:** ASOS 119.275 (707) 462-7343.

**COMMUNICATIONS:** CTAF/UNICOM 123.0

**RCO 122.2** (OAKLAND RADIO)

® **OAKLAND CENTER APP/DEP CON 127.8**

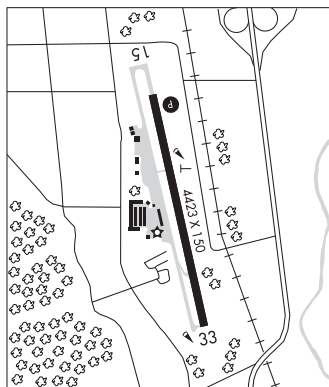
**CLEARANCE DELIVERY PHONE:** For CD if una to ctc on FSS freq, ctc Oakland ARTCC at 510-745-3380.

**AIRSPACE:** CLASS E.

**RADIO AIDS TO NAVIGATION:** NOTAM FILE UKI.

**MENDOCINO (VH) (H) VORTACW 112.3** ENI Chan 70 N39°03.19' W123°16.46' 022° 5.5 NM to fld. 2985/16E.

**LOC/DME 109.1** I-UKI Chan 28 Rwy 15. LOC unusable byd 25° r of course. DME unusable byd 25° right of course.



**UNIVERSITY** (See DAVIS on page 141)

**UPLAND**

**CABLE** (CCB)(KCCB) 2 NW UTC-8(-7DT) N34°06.70' W117°41.24'

**LOS ANGELES**

1444 B TPA—2244(800) NOTAM FILE RAL

**COPTER**

**RWY 06-24:** H3863X75 (ASPH) S-20 MIRL 1.3% up NE

L-3E, 4H, 7C, A

**RWY 06:** VASI(V2L)—GA 4.0° TCH 34'. Thld dspcd 106'.

IAP

**RWY 24:** VASI(V2R)—GA 4.0° TCH 24'. Thld dspcd 157'. Road.

**SERVICE:** S4 FUEL 100LL, JET A OX1, 2, 3, 4 LGT MIRL Rwy 06-24 preset on low instst SS-SR ACTVT high instst—CTAF. Rwy 24 VASI unusbl byd 5 deg left and 2 deg right of rwy cntrln.

**AIRPORT REMARKS:** Attended dalgt hrs. Fuel self svc 24 hrs. Rwy 06-24 gross pavement strength provided by arpt operator 12,500 pounds.

**AIRPORT MANAGER:** 951-315-9224

**WEATHER DATA SOURCES:** AWOS-3P 119.525 (909) 985-4731.

**COMMUNICATIONS:** CTAF/UNICOM 123.0

® **SO CAL APP/DEP CON 125.5** (SW-NORTH)

**CLEARANCE DELIVERY PHONE:** For CD ctc SoCal Apch at 800-448-3724.

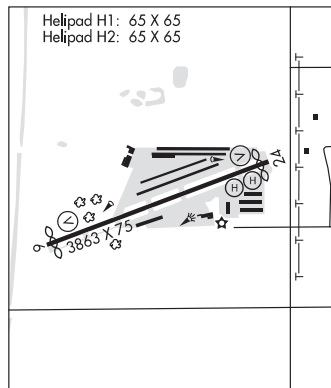
**RADIO AIDS TO NAVIGATION:** NOTAM FILE RAL.

**POMONA (L) (L) VORTACW 110.4** POM Chan 41 N34°04.70' W117°47.22' 053° 5.4 NM to fld. 1265/15E.

DME unusable:  
300°-045° byd 20 NM

VOR unusable:  
280°-300° byd 20 NM blo 13,000'  
300°-045° byd 20 NM

TACAN AZIMUTH unusable:  
280°-300° byd 20 NM blo 14,000'  
300°-045° byd 20 NM



**HELIPAD H1:** H65X65 (ASPH) PERIMETER LGTS

**HELIPAD H2:** H65X65 (ASPH-CONC)

**HELIPORT REMARKS:** ACTVT Helipad H1 perimeter lgts—CTAF.