

LOMPOC (LPC)(KLPC) 2 N UTC-8(-7DT) N34°39.94' W120°28.05'

LOS ANGELES

88 B TPA—901(813) NOTAM FILE LPC

L-3D, 4F, 7A

RWY 07-25: H4600X100 (ASPH) S-17 MIRL

IAP

RWY 07: Brush.

RWY 25: REIL. PAPI(P4L)—GA 3.25° TCH 25'. Thld dspcd 118'.

P-line. Rgt tfc.

SERVICE: S4 FUEL 100LL, JET A OX 1, 3 LGT ACTVT REIL Rwy 25;

MIRL Rwy 07-25—CTAF. PAPI Rwy 25 on consly. Twy lgts OTS UFN.

AIRPORT REMARKS: Attended 1600-0100Z†. Attended by FBO, phone

805-717-3558. Fuel avbl 24 hrs, self-service credit card only.

Parachute Jumping. Ultralight and sky diving activity invof arpt dalgt

hrs Fri-Sun. Deer on and invof arpt.

AIRPORT MANAGER: 805-875-8268

WEATHER DATA SOURCES: AWOS-3PT 133.875 (805) 735-3075.

COMMUNICATIONS: CTAF/UNICOM 122.7

® SANTA BARBARA APP/DEP CON 124.15

® L.A. CENTER APP/DEP CON 119.05

CLEARANCE DELIVERY PHONE: For CD ctc Los Angeles ARTCC at

661-575-2079.

RADIO AIDS TO NAVIGATION: NOTAM FILE HHR.

GAVIOTA (VL) (H) VORTACW 113.8 GVO Chan 85 N34°31.88'

W120°05.47' 277° 20.3 NM to fld. 2616/16E.

TACAN AZIMUTH unusable:

000°-095° byd 20 NM blo 12,500'

117°-137° byd 35 NM

310°-095° byd 10 NM blo 8,500'

DME unusable:

000°-095° byd 20 NM blo 12,500'

117°-137° byd 35 NM

310°-095° byd 10 NM blo 8,500'

VOR unusable:

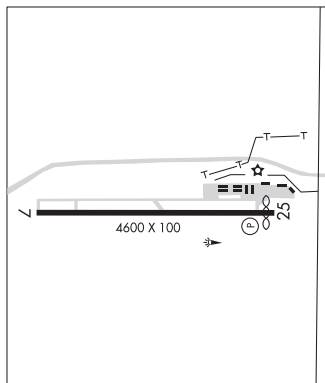
276°-282° byd 40 NM

292°-297° byd 40 NM

302°-312° byd 40 NM blo 6,000'

302°-312° byd 60 NM

352°-057° byd 40 NM



LOMPOC HLZ N34°28.10' W120°40.85'/149

AWOS-3 121.975

LOS ANGELES

H-4H, L-3D, 4F, 7A

LOMPOC TQS N34°38.16' W120°36.96'/110

ASOS 111.1 Southern weather system site on Vandenberg Space Force Base (KVBG).

LOS ANGELES

L-3D, L-4F, 7A

LOMPOC VGN N34°50.97' W120°35.98'/306

ASOS 111.1 Northern weather system site on Vandenberg Space Force Base (KVBG).

LOS ANGELES

L-3D, L-4F, 7A