

**QUAD-CITY SPB** (I04) 2 S UTC-6(-5DT) N41°27.60' W90°29.57'  
 560 TPA—960(400) NOTAM FILE IKK  
**WATERWAY E-W:** 10000X300 (WATER)

CHICAGO

**WATERWAY E:** Rgt tfc.

**SERVICE:** S2 FUEL 100LL

**SEAPLANE REMARKS:** Unattended. Radio or phone approval req by Moline twr. Call for svc and 100LL 304-314-0002. Svc by prior agreement. Waterway E p-line crosses river 300' E of hangar and dock area; highway bridge 300' W of hangar and dock area.

**AIRPORT MANAGER:** 309-314-0002

**COMMUNICATIONS:** CTAF 122.9

**CLEARANCE DELIVERY PHONE:** For CD ctc Chicago ARTCC at 630-906-8921.

**COMM/NAV/WEATHER REMARKS:** Tfc information avbl from Quad City twr on 119.4. Individual ops must be approved by Quad City twr on 119.4 or by telephone.

**MOLINE** N41°19.26' W90°38.29' NOTAM FILE MLI.  
 (L) (L) **VORW/DME** 114.4 MZV Chan 91 033° 9.6 NM to Quad Cities Intl. 817/5E.  
**RCO** 122.6 (KANKAKEE RADIO)

CHICAGO  
H-5D, L-28B, A

**MONEE**

**BULT FLD** (C56) 3 SE UTC-6(-5DT) N41°22.65' W87°40.79'  
 790 NOTAM FILE IKK  
**RWY 09-27:** H5001X75 (CONC) S-60 LIRL 0.4% up W

CHICAGO  
H-5E, L-28H, A  
IAP

**RWY 27:** Thld dspcd 151'. Tree.

**SERVICE:** FUEL 100LL, JET A

**AIRPORT REMARKS:** Attended 1400-2300Z±. Birds and animals on and invof arpt. 100LL fuel avbl H24 with credit card. Jet A avbl aft hr with prior arrangement. Rwy 27 calm wind rwy.

**AIRPORT MANAGER:** (708) 534-8282

**WEATHER DATA SOURCES:** AWOS-AV 119.125 (708) 534-5256.

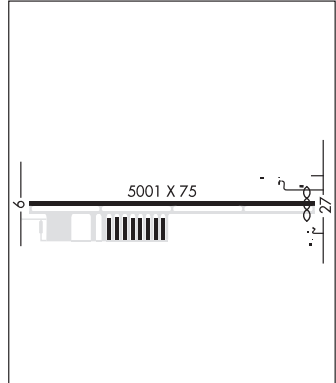
**COMMUNICATIONS:** CTAF/UNICOM 123.0

Ⓡ CHICAGO CENTER APP/DEP CON 132.5

**CLEARANCE DELIVERY PHONE:** For CD ctc Chicago ARTCC at 630-906-8921.

**RADIO AIDS TO NAVIGATION:** NOTAM FILE IKK.

**PEOTONE (L) (L) VORTACW** 113.2 EON Chan 79 N41°16.18' W87°47.46' 036° 8.2 NM to fld. 689/2E.



**MONMOUTH MUNI** (C66) 2 N UTC-6(-5DT) N40°55.78' W90°37.87'  
 753 B NOTAM FILE IKK  
**RWY 03-21:** H2899X60 (ASPH) S-10 MIRL

CHICAGO  
L-27B  
IAP

**RWY 03:** PAPI(P2L)—GA 3.5° TCH 29'. Tree.

**RWY 21:** PAPI(P2L)—GA 3.0° TCH 21'. Tree.

**SERVICE:** FUEL 100LL, MOGAS LGT ACTIVATE PAPI Rwy 03 and Rwy 21; MIRL Rwy 03-21 preset low ints; to incr ints and ACTIVATE—CTAF.

**AIRPORT REMARKS:** Attended Tue-Sun 1400-2230Z±. After hrs fuel call 309-255-3455. Rwy 03 seasonal crops in part 77 sfc 200' from rwy end, 61' left.

**AIRPORT MANAGER:** 309-734-3411

**COMMUNICATIONS:** CTAF/UNICOM 122.8

Ⓡ QUAD CITY APP/DEP CON 133.275 (1130-0430Z±) CLNC DEL 120.7

Ⓡ CHICAGO CENTER APP/DEP CON 135.6 (0430-1130Z±)

**CLEARANCE DELIVERY PHONE:** For CD ctc Chicago ARTCC at 630-906-8921.

**RADIO AIDS TO NAVIGATION:** NOTAM FILE GBG.

**GALESBURG (T) DME** 109.8 GBG Chan 35 N40°56.24' W90°26.07' 267° 9.0 NM to fld. 760.

