

PLEASANTON

LINN CO (1KS) 1 E UTC-6(-5DT) N38°10.41' W94°41.42'
 860 NOTAM FILE ICT
RWY 18-36: H3000X60 (ASPH) MIRL 1.0% up N
RWY 18: Tree. Rgt tfc.
RWY 36: Trees.
SERVICE: S4 LGT ACTVT MIRL Rwy 18-36—CTAF.
AIRPORT REMARKS: Unattended. Wildlife on and invof rwy.
AIRPORT MANAGER: 913-731-3526
COMMUNICATIONS: CTAF/UNICOM 122.8
CLEARANCE DELIVERY PHONE: For CD ctc Kansas City ARTCC at 913-254-8508.

KANSAS CITY
L-10I

PRAIRIE VIEW

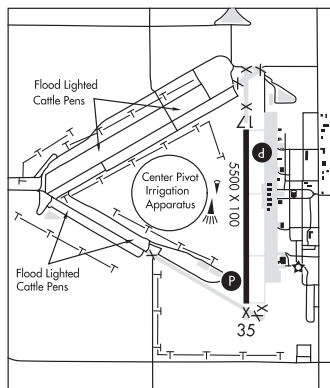
VAN PAK (ØP1) 0 E UTC-6(-5DT) N39°49.90' W99°34.11'
 2213 NOTAM FILE ICT
RWY 16-34: 2590X128 (TURF)
RWY 16: Crops.
RWY 34: Road.
AIRPORT REMARKS: Unattended.
AIRPORT MANAGER: 785-973-2252
COMMUNICATIONS: CTAF 122.9
CLEARANCE DELIVERY PHONE: For CD ctc Denver ARTCC at 303-651-4257.

WICHITA

PRATT RGNL (PTT)(KPTT) 4 N UTC-6(-5DT) N37°42.15' W98°44.82'
 1953 B NOTAM FILE PTT
RWY 17-35: H5500X100 (CONC) S-30, D-42 PCN 14 R/C/X/U MIRL
RWY 17: REIL. PAPI(P4L)—GA 3.0° TCH 38'.
RWY 35: REIL. PAPI(P4L)—GA 3.0° TCH 40'.
SERVICE: S4 FUEL 100LL, JET A LGT Dusk-Dawn. ACTVT REIL Rwy 17 and 35; PAPI Rwy 17 and 35—CTAF. MIRL Rwy 17-35 preset on low intst, to incr intst and ACTVT—CTAF.
AIRPORT REMARKS: Attended 1400Z±-SS. 100LL: FBO ops daylight hrs. For fuel aftr hrs call 620-886-0289. Migrating birds on and invof arpt. Do not mistake lgtd cattle pens for lgtd rwys. Twy lgtd. Calm wind Rwy 17.
AIRPORT MANAGER: 620-672-7571
WEATHER DATA SOURCES: AWOS-3PT 118.725 (620) 672-2793.
COMMUNICATIONS: CTAF/UNICOM 122.8
 Ⓡ KANSAS CITY CENTER APP/DEP CON 118.8
CLEARANCE DELIVERY PHONE: For CD ctc Kansas City ARTCC at 913-254-8508.

WICHITA
H-5B, L-10H, 15D
IAP

RADIO AIDS TO NAVIGATION: NOTAM FILE HUT.
HUTCHINSON (VL) (L) VOR/DME 116.8 HUT Chan 115 N37°59.82' W97°56.05' 242° 42.5 NM to fld. 1542/4E.
 VOR unusable:
 044°-051° byd 40 NM
 140°-143° byd 40 NM
 144°-154° byd 40 NM blo 4,500'
 144°-154° byd 47 NM
 195°-217° byd 16 NM blo 5,000'
 195°-217° byd 33 NM blo 8,000'
 200°-217° byd 58 NM



QUINTER

GOVE CO (1QK) 2 S UTC-6(-5DT) N39°02.32' W100°14.03'
 2637 B NOTAM FILE ICT
RWY 17-35: H4000X60 (CONC) S-30, D-30 MIRL 0.6% up N
RWY 17: Rgt tfc.
RWY 35: Tree.
SERVICE: LGT ACTIVATE MIRL Rwy 17-35—CTAF.
AIRPORT MANAGER: 785-299-0219
COMMUNICATIONS: CTAF 122.9
 Ⓡ DENVER CENTER APP/DEP CON 132.7
CLEARANCE DELIVERY PHONE: For CD ctc Denver ARTCC at 303-651-4257.

WICHITA
L-10H
IAP

RENNER FLD/GOODLAND MUNI (See GOODLAND on page 101)