

DEER PARK (DEW)(KDEW) 3 NE UTC-8(-7DT) N47°58.02' W117°25.72'

SEATTLE
H-1C, L-13B
IAF

2211 B TPA—See Remarks NOTAM FILE DEW

RWY 16-34: H6101X75 (ASPH) S-30, D-50 MIRL 0.4% up NW

RWY 16: REIL. PAPI(P4L)—GA 3.5° TCH 38' . Trees.

RWY 34: REIL. PAPI(P4L)—GA 3.0° TCH 40' .

RWY 05-23: H3200X60 (ASPH) S-12.5 PCN 17 F/C/W/T

SERVICE: S4 **FUEL** 100LL, JET A **LGT** ACTIVATE REIL Rwy 16 and Rwy 34; MIRL Rwy 16-34—CTAF. PAPI Rwy 16 and 34 opr continuously.

NOISE: NS ABTMT procedures in effect ctc arpt mgr 509-276-3379.

AIRPORT REMARKS: Attended Apr-Oct 1600-0100Z±, Nov-Mar 1800-0000Z±. 100LL and Jet A avbl 24 hrs credit card self svc facility. Call ahead for full svc, Jet A svc 509-276-3379. Rwy 05-23 heavy glider activity weekends. Model airplane activity on arpt. Farming opr active on land adjacent to rwys. Coyotes on and invof rwys. Monitor glider tfc on 123.3 abv 5000' MSL. Glider pattern TPA 3211(1000). 175' twr 2000' west of Rwy 16-34. Rwy 16 preferred calm wind rwy.

AIRPORT MANAGER: 509-276-3379

WEATHER DATA SOURCES: ASOS 135.175 (509) 276-2303.

COMMUNICATIONS: CTAF/UNICOM 123.0

Ⓡ SPOKANE APP/DEP CON 123.75

CLEARANCE DELIVERY PHONE: For CD ctc Spokane Apch at 509-742-2522

AIRSPACE: CLASS E.

RADIO AIDS TO NAVIGATION: NOTAM FILE GEG.

SPOKANE (VH) (H) VORTACW 115.5 GEG Chan 102 N47°33.90' W117°37.61' 004° 25.4 NM to fld. 2756/14E.

VOR unusable:

007°-022° byd 26 NM blo 7,000'

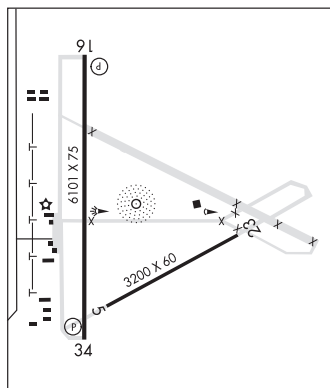
029°-041° byd 40 NM

307°-337° byd 30 NM blo 9,000'

342°-007° byd 18 NM blo 7,000'

342°-007° byd 25 NM

NDB (MHW) 365 DPY N47°58.06' W117°25.58' at fld. 2194/16E. NOTAM FILE DEW. NDB unmonitored.



DELAURENTIS (See OAK HARBOR on page 254)

DESERT AIRE RGNL (See MATTAWA on page 249)

DOROTHY SCOTT INTL (See OROVILLE on page 258)

EASTON STATE (ESW)(KESW) 2 N UTC-8(-7DT) N47°15.25' W121°11.13'

SEATTLE

2226 NOTAM FILE SEA

RWY 09-27: 2640X100 (TURF) LIRL 0.5% up W

RWY 09: Trees.

RWY 27: Trees.

SERVICE: **LGT** Rwy 09-27 yellow lgts obsc late summer. LIRL Rwy 09-27 opr dusk to dawn when arpt is open.

AIRPORT REMARKS: Unattended. CLOSED Oct 1-Jun 1; exc apvd MIL and public safety/law enforcement heli ops. PAEW and wildlife on or invof rwy. Fac info prior to use - 360-709-8015 or 1-800-552-0666. Acft acdnt/incidents - 800-258-5990 state emer ops cntr. Wind indicator mounted on 50' twr.

AIRPORT MANAGER: 360-618-2477

COMMUNICATIONS: CTAF 122.9

CLEARANCE DELIVERY PHONE: For CD ctc Seattle ARTCC at 253-351-3694.