

**LOMPOC** (LPC)(KLPC) 2 N UTC-8(-7DT) N34°39.94' W120°28.05'  
 88 B TPA-901(813) NOTAM FILE LPC  
**RWY 07-25:** H4600X100 (ASPH) S-17 MIRL

LOS ANGELES  
 L-3D, 4F, 7A  
 IAP

**RWY 07:** Brush.  
**RWY 25:** REIL. PAPI(P4L)—GA 3.25° TCH 25'. Thld dsplcd 118'.  
 P-line. Rgt tfc.

**SERVICE:** S4 **FUEL** 100LL, JET A **OX** 1, 3 **LGT** ACTVT REIL Rwy 25;  
 MIRL Rwy 07-25—CTAF. PAPI Rwy 25 on consly.

**AIRPORT REMARKS:** Attended 1600-0100Z. Parachute Jumping. Deer on  
 and invof arpt. Ultralight and skydiving act in vcnty of arpt dalgt hrs  
 Mon-Sun. Xng mid-fld dur skydiving ops not adzdz. Fuel avbl 24 hrs,  
 self-service credit card only.

**AIRPORT MANAGER:** 805-875-8268  
**WEATHER DATA SOURCES:** AWOS-3PT 133.875 (805) 735-3075.

**COMMUNICATIONS:** CTAF/UNICOM 122.7

Ⓡ **SANTA BARBARA APP/DEP CON** 124.15

Ⓡ **L.A. CENTER APP/DEP CON** 119.05

**CLEARANCE DELIVERY PHONE:** For CD etc Los Angeles ARTCC at  
 661-575-2079.

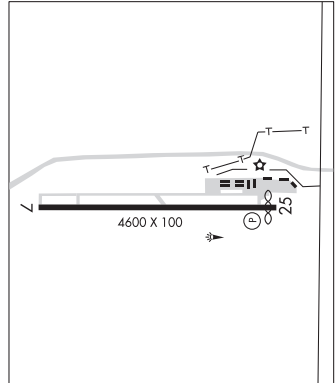
**RADIO AIDS TO NAVIGATION:** NOTAM FILE HHR.

**GAVIOTA (VL) (H) VORTACW** 113.8 GVO Chan 85 N34°31.88'  
 W120°05.47' 277° 20.3 NM to fld. 2616/16E.

TACAN AZIMUTH unusable:  
 000°-095° byd 20 NM blo 12,500'  
 117°-137° byd 35 NM  
 310°-095° byd 10 NM blo 8,500'

DME unusable:  
 000°-095° byd 20 NM blo 12,500'  
 117°-137° byd 35 NM  
 310°-095° byd 10 NM blo 8,500'

VOR unusable:  
 276°-282° byd 40 NM  
 292°-297° byd 40 NM  
 302°-312° byd 40 NM blo 6,000'  
 302°-312° byd 60 NM  
 352°-057° byd 40 NM



**LOMPOC** HLZ N34°28.10' W120°40.85'/149  
 AWOS-3 121.975

LOS ANGELES  
 H-4H, L-3D, 4F, 7A

**LOMPOC** TQS N34°38.16' W120°36.96'/110  
 ASOS 111.1 Southern weather system site on Vandenberg Space Force Base (KVBG).

LOS ANGELES  
 L-3D, L-4F, 7A

**LOMPOC** VGN N34°50.97' W120°35.98'/306  
 ASOS 111.1 Northern weather system site on Vandenberg Space Force Base (KVBG).

LOS ANGELES  
 L-3D, L-4F, 7A