

WILLIAMSON/SODUS (SDC)(KSDC) 3 W UTC-5(-4DT) N43°14.08' W77°07.17'

DETROIT
L-31E, 32F
IAP

424 B TPA-1400(976) NOTAM FILE BUF

RWY 10-28: H3803X60 (ASPH) S-12 MIRL

RWY 10: REIL. PAPI(P2L)-GA 3.0° TCH 40'. Trees.

RWY 28: REIL. PAPI(P2R)-GA 3.2° TCH 42'. Tree.

SERVICE: S4 FUEL 100LL LGT ACTIVATE REIL Rwy 10 and Rwy 28; MIRL Rwy 10-28-CTAF.

AIRPORT REMARKS: Attended Mon-Fri 1330-2200Z†. Credit card fuel avbl 24 hrs. Geese and deer on and invof arpt.

AIRPORT MANAGER: 315-483-6011

WEATHER DATA SOURCES: AWOS-3 124.2 (315) 483-6171.

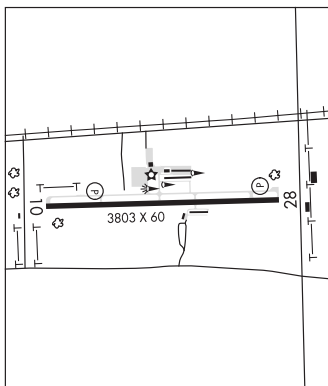
COMMUNICATIONS: CTAF/UNICOM 122.8

® **ROCHESTER APP/DEP CON** 119.55

CLEARANCE DELIVERY PHONE: For CD ctc Cleveland ARTCC at 440-774-0490.

RADIO AIDS TO NAVIGATION: NOTAM FILE ROC.

ROCHESTER (L) (L) VOR/DME 110.0 ROC Chan 37 N43°07.08' W77°40.37' 086° 25.3 NM to fld. 545/12W.



WURTSBORO/SULLIVAN CO (N82) 2 NE UTC-5(-4DT) N41°35.87' W74°27.55'

NEW YORK
L-33A, 34H
IAP

548 NOTAM FILE ISP

RWY 05-23: H3591X60 (ASPH) S-30 0.3% up SW

RWY 05: Thld dsplcd 233'. Trees.

RWY 23: Trees.

RWY 09-27: 1101X110 (TURF) 0.7% up W

RWY 09: Trees.

RWY 27: Trees.

SERVICE: FUEL 100LL

AIRPORT REMARKS: Attended 1400-2200Z†. Winter months attended till dusk. Extensive glider activity. Deer on and in vicinity of arpt. Twr elevation 1690' MSL 250' AGL, located 9000' NE thld apch Rwy 23.

AIRPORT MANAGER: (845) 888-2791

COMMUNICATIONS: CTAF/UNICOM 122.8

® **NEW YORK APP/DEP CON** 132.75

CLEARANCE DELIVERY PHONE: For CD ctc New York Apch at 516-683-2448

RADIO AIDS TO NAVIGATION: NOTAM FILE ISP.

KINGSTON (VL) (L) VOR/DME 117.6 IGN Chan 123 N41°39.93' W73°49.33' 274° 28.9 NM to fld. 581/12W.

VOR unusable:

008°-018° byd 40 NM blo 4,000'

008°-018° byd 70 NM

020°-123° byd 40 NM

045°-050° byd 35 NM blo 4,300'

070°-140° byd 30 NM blo 3,400'

082°-092° byd 20 NM blo 4,000'

082°-092° byd 35 NM blo 5,500'

130°-148° byd 40 NM

203°-216° byd 30NM

243°-253° byd 40 NM

275°-310° byd 40 NM

311°-321° byd 40 NM blo 6,000'

311°-321° byd 64 NM

322°-001° byd 40 NM

