

ELECTRIC CITY

GRAND COULEE DAM (3W7) 2 SW UTC-8(-7DT) N47°55.32' W119°04.98'

1593 B NOTAM FILE SEA

RWY 04-22: H4203X75 (ASPH) S-26 MIRL**RWY 04:** Hill.**RWY 22:** REIL. PAPI(P2L)—GA 4.2° TCH 53'. Ground. Rgt t/c.**SERVICE:** LGT ACTVT REIL Rwy 22; PAPI Rwy 22, MIRL Rwy 04—22-CTAF.**AIRPORT REMARKS:** Unattended. Geese & wildlife invof rwy.**AIRPORT MANAGER:** 509-631-4797**WEATHER DATA SOURCES:** AWOS-3PT 128.325 (509) 631-8955.**COMMUNICATIONS:** CTAF 122.9Ⓡ **SEATTLE CENTER APP/DEP CON** 126.1**CLEARANCE DELIVERY PHONE:** For CD ctc Seattle ARTCC at 253-351-3694.**RADIO AIDS TO NAVIGATION:** NOTAM FILE EPH.**EPHRATA (VH) (H) VORTACW** 112.6 EPH Chan 73 N47°22.68' W119°25.44' 002° 35.5 NM to fld. 1250/21E.

VOR unusable:

010°-014° byd 40 NM

042°-054° byd 40 NM

214°-228° byd 40 NM blo 7,000'

214°-228° byd 52 NM blo 10,000'

214°-228° byd 77 NM

229°-247° byd 40 NM

310°-350° byd 25 NM blo 6,500'

310°-353° byd 40 NM

358°-004° byd 40 NM

TACAN AZIMUTH unusable:

280°-295° byd 25 NM blo 7,000'

310°-350° byd 25 NM blo 6,500'

DME unusable:

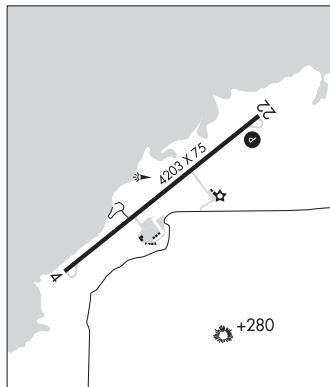
280°-295° byd 25 NM blo 7,000'

310°-350° byd 25 NM blo 6,500'

SEATTLE

L-13A

IAP



ELLENSBURG

BOWERS FLD (ELN)(KELN) 2 N UTC-8(-7DT) N47°02.09' W120°31.73'

1763 B TPA—2597(834) NOTAM FILE ELN

RWY 11-29: H4300X150 (CONC) S-35, D-57, 2D-100 MIRL

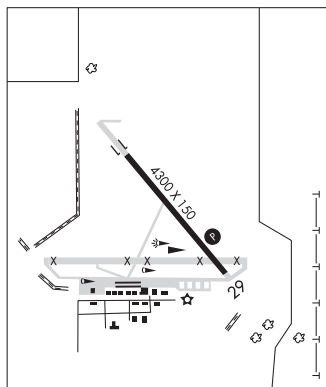
0.4% up NW

RWY 29: PAPI(P4R)—GA 3.0° TCH 40'.**SERVICE:** S4 FUEL 100LL, JET A LGT ACTVT MIRLS Rwy 11-29, PAPI Rwy 29—CTAF.**AIRPORT REMARKS:** Attended Mon-Fri 1500-0000Z \ddagger . 100LL and Jet A self svc fuel avbl with credit card. FS Jet A avbl upon req. Dist to go mkr N side of Rwy 11-29. Rwy 11-29 has 1,460' stopway NW end. Twys Alpha, Charlie, Echo cld. Extv fit trng at or blo 7,500' within 10 NM of ELN (mnt 123.0).**AIRPORT MANAGER:** 509-962-7523**WEATHER DATA SOURCES:** ASOS 118.375 (509) 925-2040.**COMMUNICATIONS:** CTAF/UNICOM 123.0**ELLENSBURG RCO** 122.2 (SEATTLE RADIO)**SEATTLE CENTER APP/DEP CON** 132.6

SEATTLE

H-1C, L-13A

IAP



CONTINUED ON NEXT PAGE

CONTINUED FROM PRECEDING PAGE

CLEARANCE DELIVERY PHONE: For CD if una to ctc on FSS freq, ctc Seattle ARTCC at 253-351-3694.

RADIO AIDS TO NAVIGATION: NOTAM FILE ELN.

ELLENSBURG (VH) (DH) VOR/DME 117.9 ELN Chan 126 N47°01.46' W120°27.50' 261° 3.0 NM to fld.
1771/21E.

VOR unusable:

001°-024° byd 40 NM
025°-040° byd 25 NM
040°-065° byd 34 NM
065°-075° byd 34 NM blo 18,000'
075°-080° byd 34 NM
081°-089° byd 40 NM
090°-158° byd 10 NM
158°-163° byd 27 NM
163°-248° byd 33 NM
248°-268° byd 33 NM blo 10,000'
288°-296° byd 40 NM
300°-350° byd 25 NM
350°-025° byd 25 NM blo 18,000'

DME unusable:

025°-070° byd 21 NM
070°-090° byd 34 NM
090°-158° byd 10 NM
158°-163° byd 27 NM
163°-268° byd 33 NM
300°-350° byd 21 NM
350°-025° byd 15 NM

EPHRATA MUNI (EPH)(KEPH) 2 SE UTC-8(-7DT) N47°18.48' W119°31.01'

1276 B NOTAM FILE EPH MON Airport

RWY 03-21: H5500X75 (ASPH) S-30, D-60, 2S-114 MIRL

RWY 03: REIL. PAPI(P4L)—GA 3.0° TCH 40'. Ground. Rgt tfc. 0.3% up.

RWY 21: REIL. PAPI(P4L)—GA 3.0° TCH 40'.

RWY 11-29: H3843X60 (ASPH) S-12 MIRL

RWY 11: REIL. Ground.

RWY 29: REIL. PAPI(P2L)—GA 3.0° TCH 40'.

RWY 04-22: H3467X150 (ASPH) S-12

RWY 22: Rgt tfc.

SERVICE: S2 FUEL 100LL, JET A, A+ LGT ACTVT REIL Rwy 03, 11, 21 and 29; MIRL Rwy 03-21 and MIRL Rwy 11-29—CTAF. PAPI Rwy 29, Rwy 03 and Rwy 21 opr consly.

AIRPORT REMARKS: Attended Mon-Fri 1500-0000Z†. Conds not mnt Mon-Fri 0000-1500Z†, conds not mnt Sat-Sun & hols 0000-1500Z†. Fuel 24 hr credit card svc avbl. Jet-A avbl seven days a week 1500-2300Z†. Jet-A w/additive avbl seven days a week 1500-2300Z†. Rwy 04-22 glids use 1 Apr to 1 Nov. Be alert aerobatic acft activity over center of airport.

AIRPORT MANAGER: 509-754-3508

WEATHER DATA SOURCES: ASOS 135.775 (509) 754-3761.

COMMUNICATIONS: CTAF/UNICOM 122.8

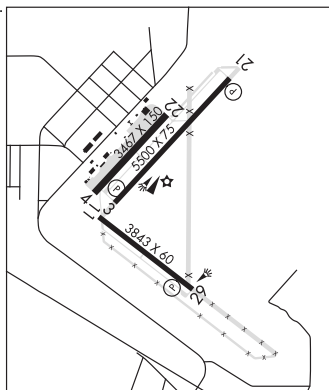
RCO 122.2 (SEATTLE RADIO)

® GRANT COUNTY APP/DEP CON 126.4 (1400-0600Z†)

® SEATTLE CENTER APP/DEP CON 126.1 (0600-1400Z†)

CLEARANCE DELIVERY PHONE: For CD if una to ctc on FSS freq, ctc Grant County Apch at 509-762-2842. When Apch clsd ctc Seattle ARTCC at 253-351-3694.

SEATTLE
H-1C, L-13A
IAP



CONTINUED ON NEXT PAGE