

**JENNINGS** (3R7) 1 NW UTC-6(-5DT) N30°14.56' W92°40.41'

23 B NOTAM FILE DRI

**Rwy 08-26:** H5002X75 (ASPH) S-12 MIRL

**Rwy 08:** REIL. PAPI(P2L)—GA 3.0° TCH 50'. Trees.

**Rwy 26:** REIL. PAPI(P2L)—GA 3.0° TCH 50'. Pole. Rgt tfc.

**Rwy 13-31:** H3601X75 (ASPH) S-12 MIRL

**Rwy 13:** REIL. PAPI(P2L)—GA 3.0° TCH 50'. Sign. Rgt tfc.

**Rwy 31:** REIL. PAPI(P2L)—GA 3.0° TCH 50'. Thld dsplcd 588'. Bldg.

**Rwy 17-35:** 1977X150 (TURF)

**Rwy 17:** Pole. Rgt tfc.

**Rwy 35:** P-line.

**SERVICE:** FUEL 100LL, JET A LGT ACTVT MIRL Rwy 08-26, Rwy 13-31—CTAF.

**AIRPORT REMARKS:** Attended Mon-Fri 1200-2200Z†. Ultralight activity invof arpt. Numerous agricultural acct invof arpt. Self svc fuel avbl after hrs with credit card. Rwy 17-35 and thld outlined with orange cones. 20' unlgtd tower 150' from approach end Rwy 35. Ctc arpt mgr for dsngd ramp space for pub use at arpt. NOTE: See Special Notices—Aerobatic Practice Area.

**AIRPORT MANAGER:** 337-616-2370

**WEATHER DATA SOURCES:** AWOS-3PT 121.150 (337) 824-0517.

**COMMUNICATIONS:** CTAF/UNICOM 122.8

Ⓡ LAKE CHARLES APP/DEP CON 119.8 (1200-0400Z‡)

Ⓡ HOUSTON CENTER APP/DEP CON 124.7 (0400-1200Z‡)

**CLEARANCE DELIVERY PHONE:** For CD ctc Houston ARTCC at 281-230-5622.

**RADIO AIDS TO NAVIGATION:** NOTAM FILE LCH.

LAKE CHARLES (VH) (H) VORTACW 113.4 LCH Chan 81 N30°08.49' W93°06.33' 068° 23.3 NM to fld. 20/7E.

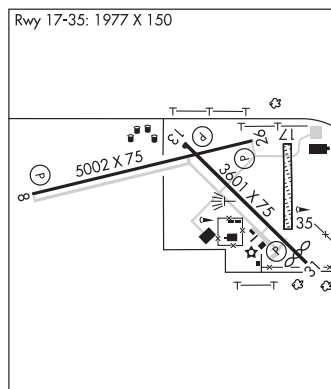
VOR unusable:

181°-359° byd 30 NM blo 1,500'

198°-203° byd 40 NM blo 11,000'

198°-203° byd 61 NM

**HOUSTON**  
H-7D, L-21B, 22E, GOAW  
IAP



**JOHN H HOOKS JR MEML** (See RAYVILLE on page 135)