

CONTINUED FROM PRECEDING PAGE

RADIO AIDS TO NAVIGATION: NOTAM FILE SNS.

SALINAS (VH) (H) VORTACW 117.3 SNS Chan 120 N36°39.83' W121°36.19' 017° 16.6 NM to fld. 81/17E.

VOR unusable:

010°-016° byd 22 NM blo 7,000'
 010°-016° byd 26 NM blo 8,000'
 016°-080° byd 22 NM blo 8,000'
 109°-119° byd 40 NM blo 6,000'
 109°-119° byd 58 NM
 135°-250° byd 40 NM
 150°-170° byd 8 NM blo 10,000'
 295°-302° byd 40 NM
 303°-313° byd 40 NM blo 18,000'
 314°-338° byd 40 NM
 339°-349° byd 40 NM blo 18,000'
 350°-108° byd 40 NM

TACAN AZIMUTH unusable:

010°-080° byd 22 NM blo 8,000'
 150°-200° blo 11,000'
 245°-255° byd 20 NM

Aerobatic acct wi an area defined as .5 NM rds of SNS 357016.4 (5.3 NM W CVH), blo 3000', avoidance advised SR-SS.

DME unusable:

010°-080° byd 22 NM blo 8,000'
 150°-200° blo 11,000'

HOLTVILLE (LØ4) 5 NE UTC-8(-7DT) N32°50.70' W115°16.11'

59 TPA—859(800) NOTAM FILE SAN

RWY 08-26: H6000X150 (CONC) S-30, D-50

AIRPORT REMARKS: Unattended. Arprt CLOSED indefinitely. Arprt clsd to civilian use. Rwy 08-26 clsd indefly. 1'-2' holes in pavement, buckled section slabs up to 5'. Be alert frequent military training activity during dalgt hrs and dark, includes tactical acct, helicopters and parachuting, check local notams call 619-337-7792. Rwy 08-26 ltd by arprt manager to 20,000 lbs single wheel gear, 40,000 lbs dual tandem wheel gear.

AIRPORT MANAGER: 442-265-3221

COMMUNICATIONS: CTAF/UNICOM 123.0

® YUMA APP/DEP CON 132.275

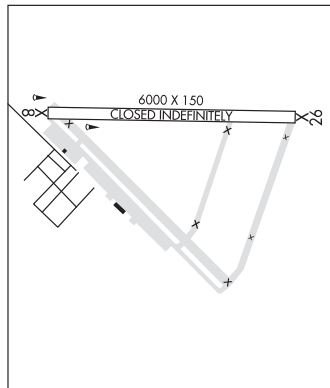
CLEARANCE DELIVERY PHONE: For CD ctc Yuma CERAP at 928-269-9569.

RADIO AIDS TO NAVIGATION: NOTAM FILE IPL.

IMPERIAL (VH) (H) VORTAC 115.9 IPL Chan 106 N32°44.93'
 W115°30.51' 051° 13.4 NM to fld. -18/14E.

VOR unusable:

001°-052° byd 40 NM
 240°-252° byd 40 NM
 253°-267° byd 40 NM blo 8,400'
 253°-267° byd 54 NM
 274°-284° byd 40 NM



PHOENIX
 H-41, L-41, 5A

HOMELAND N33°46.58' W117°11.12' NOTAM FILE RAL.

(VL) VORW 112.05 HDF 316° 7.3 NM to March Arb. 1416/14E.

VOR unusable:

017°-030° byd 35 NM blo 15,500'
 031°-154° byd 40 NM
 155°-155° byd 24 NM
 156°-189° byd 40 NM
 190°-207° byd 20 NM
 208°-284° byd 40 NM
 298°-016° byd 40 NM

LOS ANGELES
 COPTER
 L-4H, A